

Multi Hybrid HR Multisystem

PRODUCT SHEET



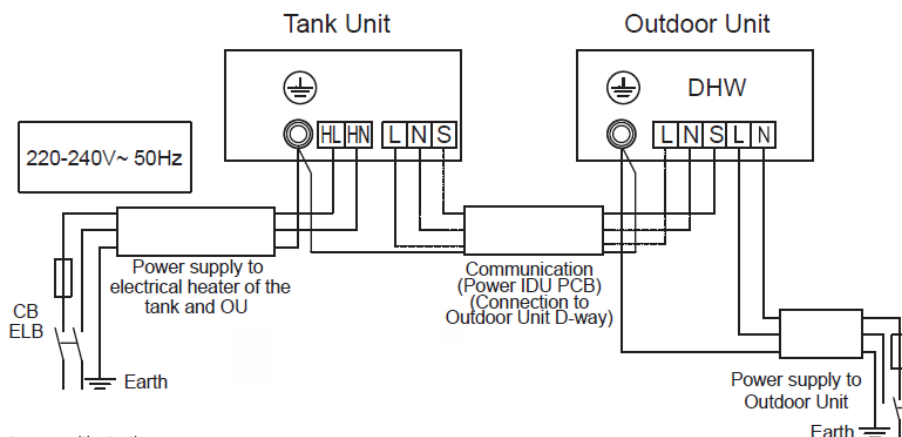
Product certified by:



FEATURES

Model	KTHR-190
Heating capacity ¹	3,90 kW
COP ¹	3,4
Recovery time ¹	2h 30 min
Tank volume	190L
Support resistance	2 kW
Tank	Enameled steel
Corrosion protection	Magnesium anode
Heat exchanger	Microchannel
Communication wiring	(3+T)x1 mm
Refrigeration piping	Ø1/4" / Ø3/8"
Hydraulic connections	Ø3/4" (DN20)
Drain connections	Ø3/4" (DN20)
Water outlet temperature range	38°C - 70°C (up to +70°C during disinfection with electrical resistance)

WIRING DIAGRAM



NOTES:

- (1) The data and specifications present in this sheet may vary without notice.
- (2) The images on this sheet are indicative and may be different from the final machine.

REFRIGERATING PIPING

Model	KTHR-190
Diam. liquid / gas pipes	4xØ1/4" / 3xØ3/8" + 1xØ1/2"
Max. length for all rooms	80 m
Max. length for 1 indoor unit / tank	35 m / 20 m
Max. height difference between indoor and outdoor unit	15 m
Max. height difference between indoor units	10 m

DIMENSIONS & WEIGHT INDOOR

Model	KTHR-190
Width	504 mm
Height	1660 mm
Depth	574 mm
Weight	70 kg

DIMENSIONS & WEIGHT OUTDOOR

Model	KAM4HR-80 DR8
Width	946 mm
Height	810 mm
Depth	410 mm
Weight	64,30 kg