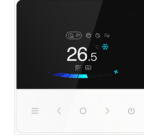
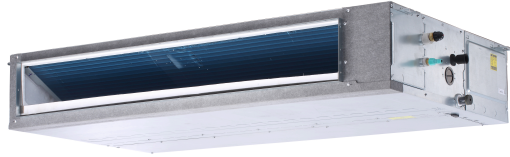


Mini Amazon Hybrid Ducts

Medium Pressure

PRODUCT SHEET



KCT-05 SRPSWF
Recommended control

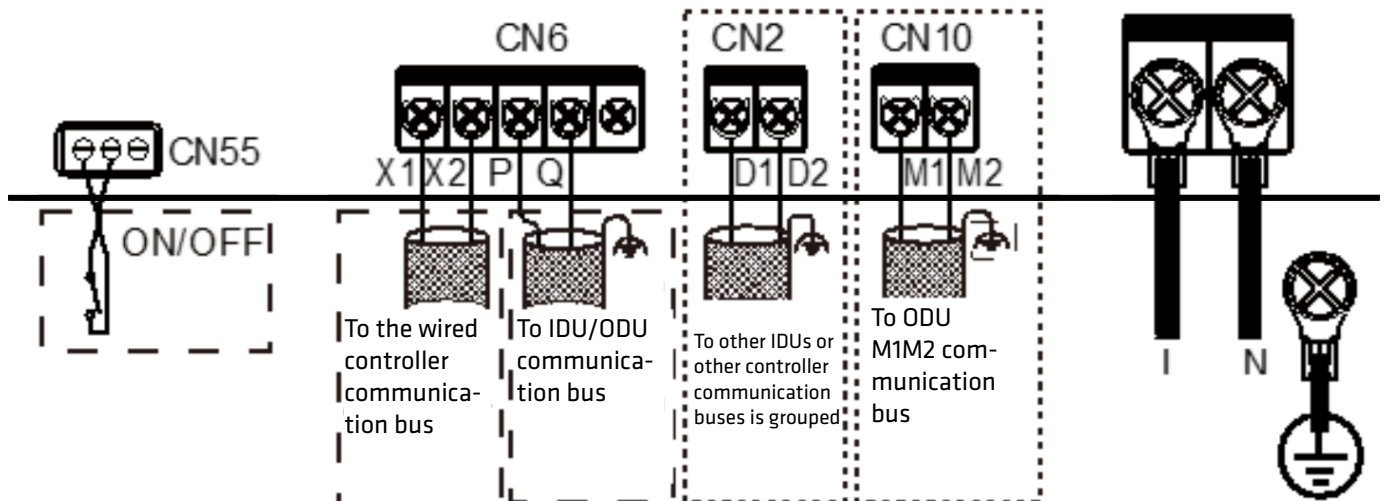
Product certified by:



FEATURES

Model	KPDHF-90 DR5.0H	KPDHF-112 DR5.0H	KPDHF-140 DR5.0H
Rated cooling capacity	9,00 kW	11,20 kW	14,00 kW
Rated heating capacity	10,00 kW	12,50 kW	14,00 kW
Consumption	110 W	138 W	172 W
Power supply	220-240/1/50	220-240/1/50	220-240/1/50
MCA: Minimum circuit amps	1,63 A	2,29 A	2,31 A
MFA: Max. fuse amps	15 A	15 A	15 A
Air flow rate	835/933/1030/1128/1225/1324/1420 m ³ /h	1150/1283/1417/1550/1683/1817/1950 m ³ /h	1300/1434/1568/1703/1837/1971/2105 m ³ /h
Max. static pressure	160 Pa	160 Pa	160 Pa
Sound pressure	28/30/31/33/34/36/37 dB(A)	28/29/31/33/35/37/39 dB(A)	29/30/32/34/36/38/40 dB(A)
Liquid pipe diameter	9,52 mm	9,52 mm	9,52 mm
Gas pipe diameter	15,9 mm	15,9 mm	15,9 mm

CIRCUIT DIAGRAM

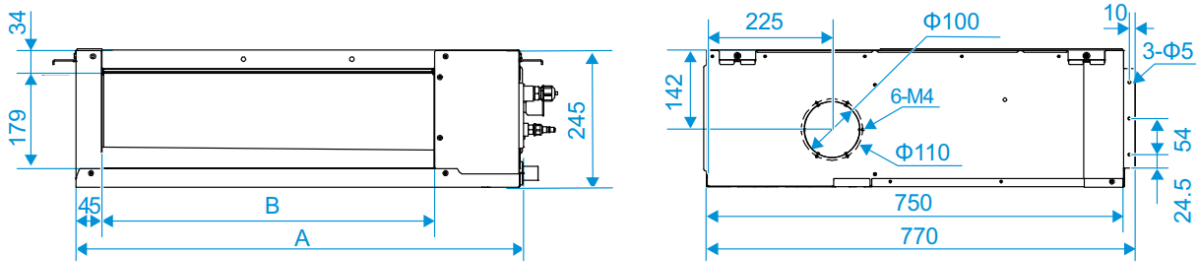


NOTES:

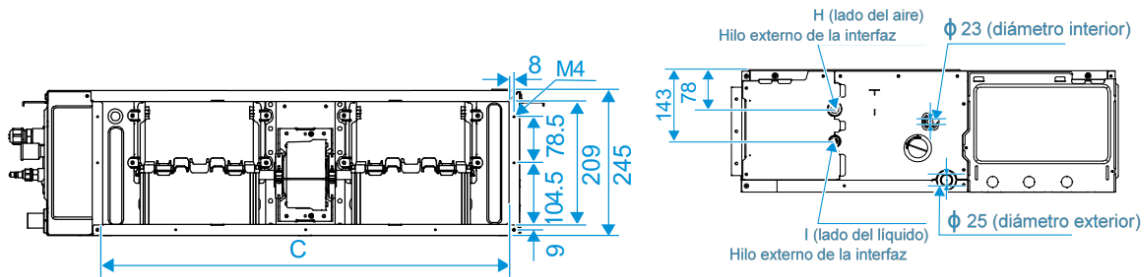
- (1) The data and specifications in this sheet are subject to change without notice.
- (2) The images in this sheet are for guidance only and may be different from the actual machine.
- (3) Cooling capacity conditions: Indoor temperature 27°C DB/19°C WB; Outdoor temperature 35°C DB; Equivalent refrigerant piping length 7.5 m with zero level difference; Data calculated with Duct type indoor unit. Heating capacity conditions: Indoor temperature 20°C DB; Outdoor temperature 7°C DB/6°C WB; Equivalent refrigerant piping length 7.5 m with zero level difference; Data calculated with Duct type indoor unit.
- (4) Sound pressure level is measured at a position 1 m in front of the unit and 1.3 m above the floor in a semi-anechoic chamber.

DIMENSIONS & WEIGHT

	KPDHF-90 DR5.0H	KPDHF-112 DR5.0H	KPDHF-140 DR5.0H
Width	1160 mm	1510 mm	1510 mm
Height	245 mm	245 mm	245 mm
Depth	770 mm	770 mm	770 mm
Indoor unit weight	31 kg	37 kg	39 kg



Appearance and size of the air outlet and the fresh air outlet



Size of return air inlet

Piping and size of water pipes

INSTALLATION

