

Outdoor units

Multisystem

PRODUCT SHEET



Product certified by:



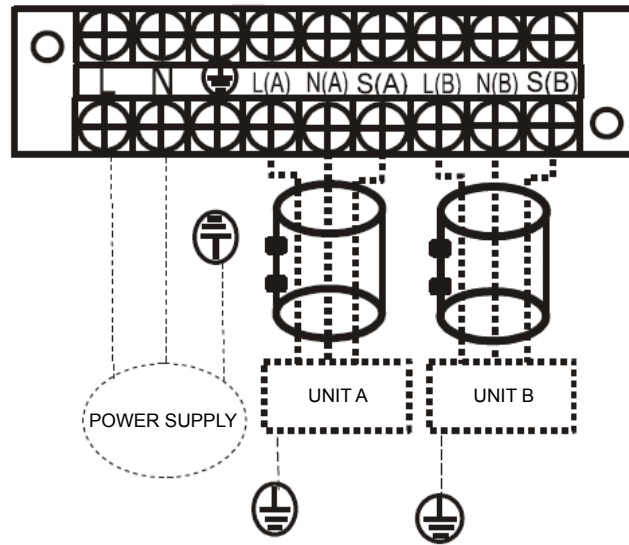
FEATURES

Model	KAM2-42 DR8
Max. indoor units	2
Cooling capacity	4,10 kW
Cooling power input	1,27 kW
Heating capacity	4,39 kW
Heating power input	1,20 kW
Airflow	2.200 m ³ /h
Sound pressure	57 dB(A)
Power supply	220-240 V / 1 / 50 Hz
Power wiring (outdoor)	(2+T)x2,50 mm ²
Communication wiring	(3+T)x2,50 mm ²
Max. input	12 A
Refrigerating pipes	2x Ø1/4" / 2x Ø3/8"
Refrigerant charge / Additional charge	0,90 kg / 0,012 kg
Max. pipe length	40 m
Max. pipe length (1 indoor unit)	25 m
Height difference between indoor and outdoor units	15 m
Height difference between indoor units	10 m

NOTES:

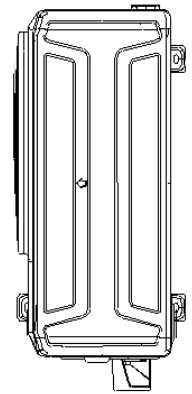
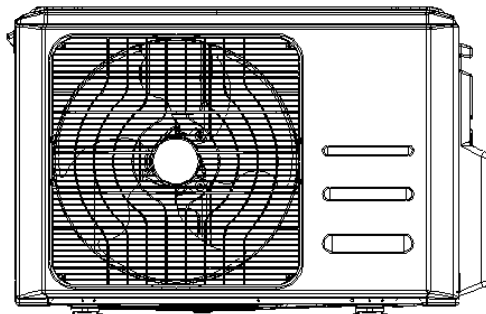
- (1) The data and specifications present in this sheet may vary without notice.
 (2) The images on this sheet are indicative and may be different from the final machine.

WIRING DIAGRAM

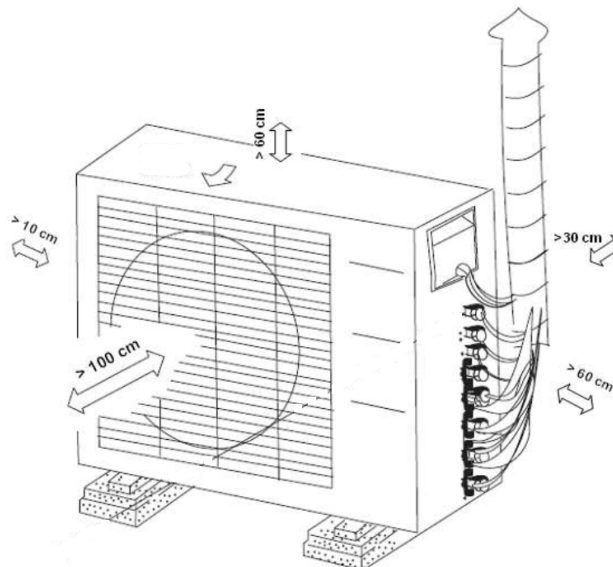


DIMENSIONS & WEIGHT OF OUTDOOR UNIT

Model	KAM2-42 DR8
Width	805 mm
Height	554 mm
Depth	330 mm
Weight	31,60 kg



INSTALLATION



Outdoor units

Multisystem

PRODUCT SHEET



Product certified by:



FEATURES

Model	KAM2-52 DR8
Max. indoor units	2
Cooling capacity	5,28 kW
Cooling power input	1,63 kW
Heating capacity	5,57 kW
Heating power input	1,50 kW
Airflow	2.200 m ³ /h
Sound pressure	56 dB(A)
Power supply	220-240 V / 1 / 50 Hz
Power wiring (outdoor)	(2+T)x2,50 mm ²
Communication wiring	(3+T)x2,50 mm ²
Max. input	13 A
Refrigerating pipes	2x Ø1/4" / 2x Ø3/8"
Refrigerant charge / Additional charge	1,25 kg / 0,012 kg
Max. pipe length	40 m
Max. pipe length (1 indoor unit)	25 m
Height difference between indoor and outdoor units	15 m
Height difference between indoor units	10 m

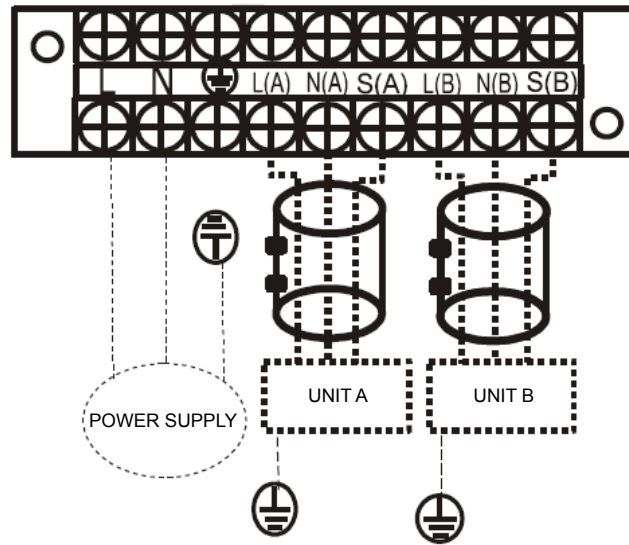
NOTES:

(1) The data and specifications present in this sheet may vary without notice.

(2) The images on this sheet are indicative and may be different from the final machine.

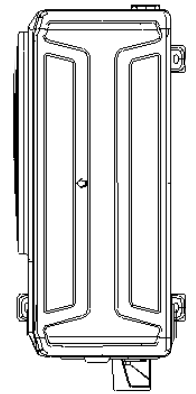
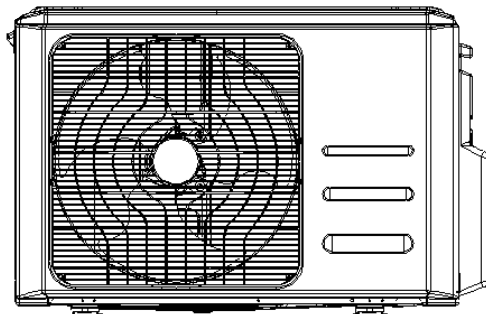
Edition 2024/05

WIRING DIAGRAM

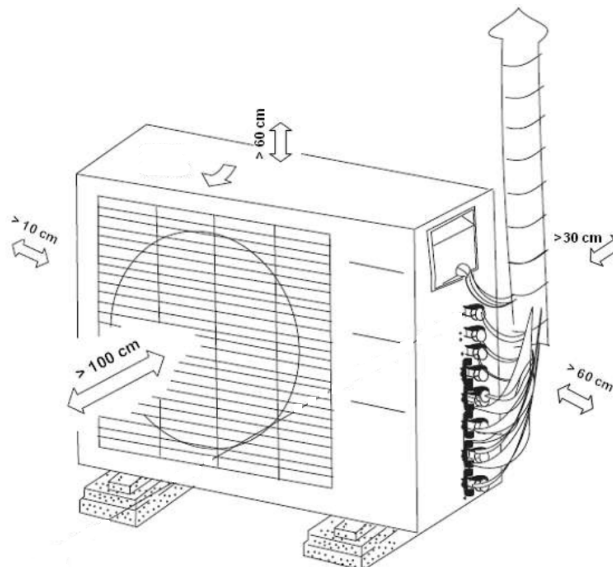


DIMENSIONS & WEIGHT OF OUTDOOR UNIT

Model	KAM2-52 DR8
Width	805 mm
Height	554 mm
Depth	330 mm
Weight	35,50 kg



INSTALLATION



Outdoor units

Multisystem

PRODUCT SHEET



Product certified by:



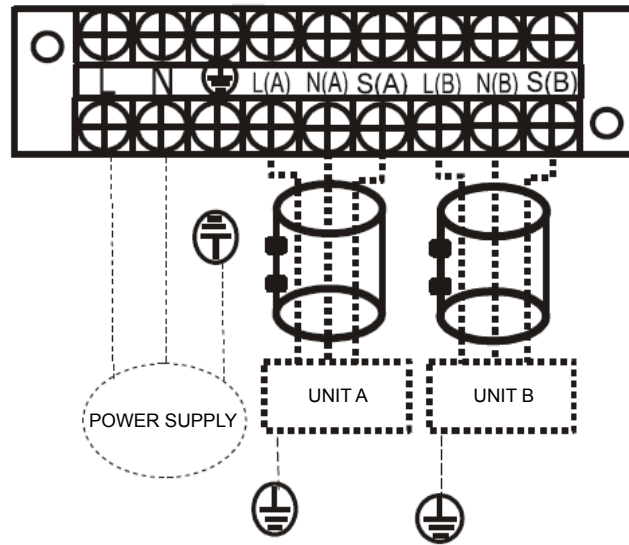
FEATURES

Model	KAM3-52 DR8
Max. indoor units	3
Cooling capacity	5,28 kW
Cooling power input	1,45 kW
Heating capacity	5,57 kW
Heating power input	1,38 kW
Airflow	2.100 m ³ /h
Sound pressure	57 dB(A)
Power supply	220-240 V / 1 / 50 Hz
Power wiring (outdoor)	(2+T)x4 mm ²
Communication wiring	(3+T)x2,50 mm ²
Max. input	12 A
Refrigerating pipes	3x Ø1/4" / 3x Ø3/8"
Refrigerant charge / Additional charge	1,50 kg / 0,012 kg
Max. pipe length	60 m
Max. pipe length (1 indoor unit)	25 m
Height difference between indoor and outdoor units	15 m
Height difference between indoor units	10 m

NOTES:

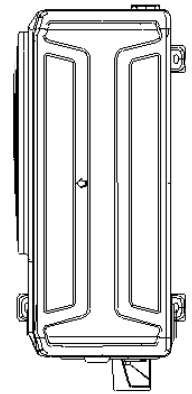
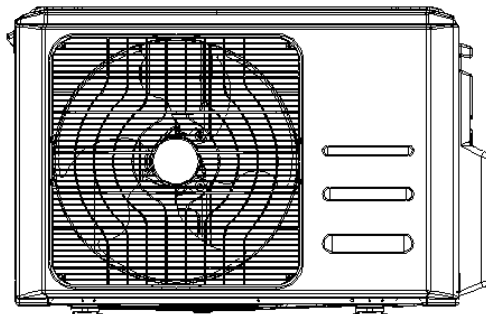
- (1) The data and specifications present in this sheet may vary without notice.
 (2) The images on this sheet are indicative and may be different from the final machine.

WIRING DIAGRAM

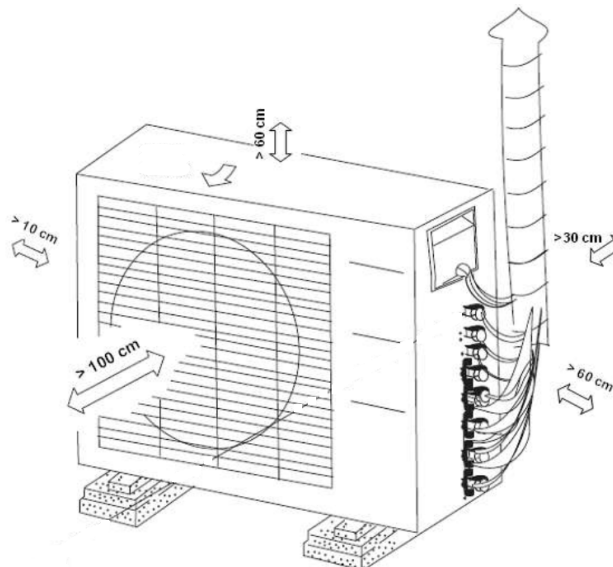


DIMENSIONS & WEIGHT OF OUTDOOR UNIT

Model	KAM3-52 DR8
Width	805 mm
Height	554 mm
Depth	330 mm
Weight	36,20 kg



INSTALLATION



Outdoor units

Multisystem

PRODUCT SHEET



Product certified by:



FEATURES

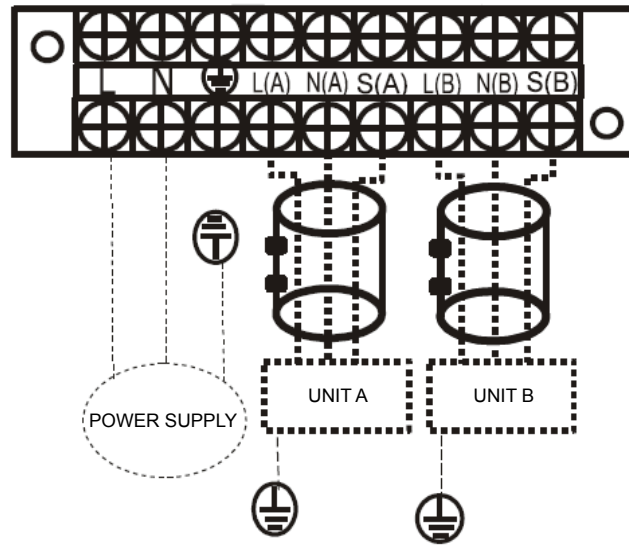
Model	KAM3-62 DR8
Max. indoor units	3
Cooling capacity	6,15 kW
Cooling power input	1,90 kW
Heating capacity	6,59 kW
Heating power input	1,77 kW
Airflow	3.000 m ³ /h
Sound pressure	57,50 dB(A)
Power supply	220-240 V / 1 / 50 Hz
Power wiring (outdoor)	(2+T)x4 mm ²
Communication wiring	(3+T)x2,50 mm ²
Max. input	15 A
Refrigerating pipes	3x Ø1/4" / 3x Ø3/8"
Refrigerant charge / Additional charge	1,40 kg / 0,012 kg
Max. pipe length	60 m
Max. pipe length (1 indoor unit)	30 m
Height difference between indoor and outdoor units	15 m
Height difference between indoor units	10 m

NOTES:

(1) The data and specifications present in this sheet may vary without notice.

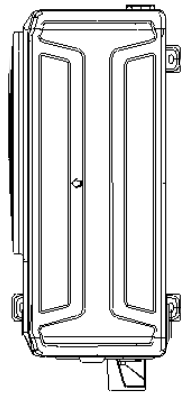
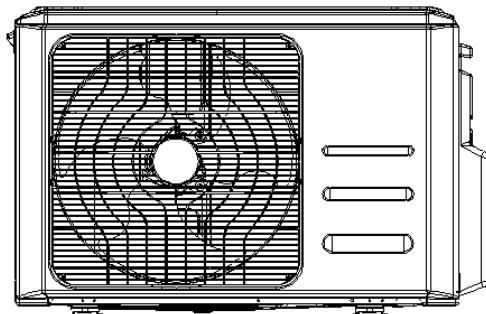
(2) The images on this sheet are indicative and may be different from the final machine.

WIRING DIAGRAM

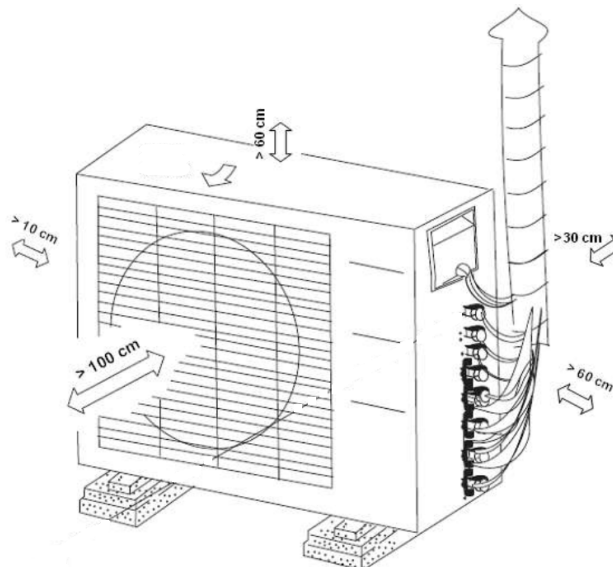


DIMENSIONS & WEIGHT OF OUTDOOR UNIT

Model	KAM3-62 DR8
Width	805 mm
Height	554 mm
Depth	330 mm
Weight	36,20 kg



INSTALLATION



Outdoor units

Multisystem

PRODUCT SHEET



Product certified by:



FEATURES

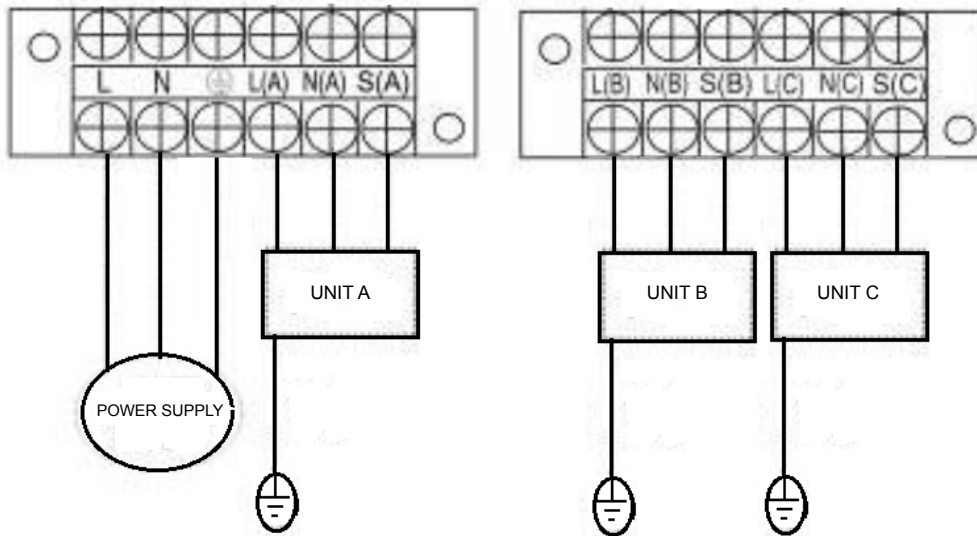
Model	KAM3-78 DR8
Max. indoor units	3
Cooling capacity	7,91 kW
Cooling power input	2,45 kW
Heating capacity	8,21 kW
Heating power input	2,20 kW
Airflow	2.700 m ³ /h
Sound pressure	54 dB(A)
Power supply	220-240 V / 1 / 50 Hz
Power wiring (outdoor)	(2+T)x4 mm ²
Communication wiring	(3+T)x2,50 mm ²
Max. input	17,50 A
Refrigerating pipes	3x Ø1/4" / 3x Ø3/8"
Refrigerant charge / Additional charge	1,57 kg / 0,012 kg
Max. pipe length	60 m
Max. pipe length (1 indoor unit)	30 m
Height difference between indoor and outdoor units	15 m
Height difference between indoor units	10 m

NOTES:

(1) The data and specifications present in this sheet may vary without notice.

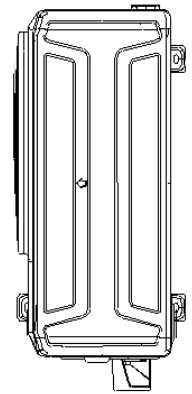
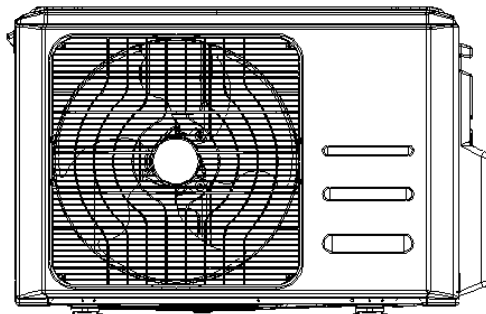
(2) The images on this sheet are indicative and may be different from the final machine.

WIRING DIAGRAM

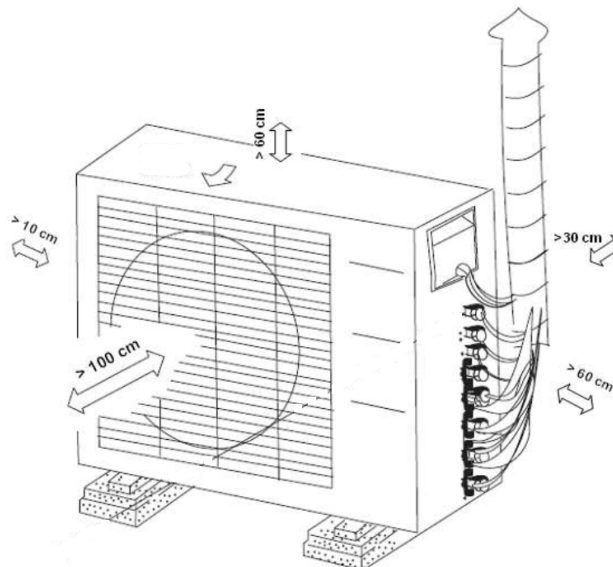


DIMENSIONS & WEIGHT OF OUTDOOR UNIT

Model	KAM3-78 DR8
Width	890 mm
Height	673 mm
Depth	342 mm
Weight	53 kg



INSTALLATION



Outdoor units

Multisystem

PRODUCT SHEET



Product certified by:



FEATURES

Model	KAM4-80 DR7
Max. indoor units	4
Cooling capacity	8,20 kW
Cooling power input	2,50 kW
Heating capacity	8,79 kW
Heating power input	2,40 kW
Airflow	3.800 m ³ /h
Sound pressure	61 dB(A)
Power supply	220-240 V / 1 / 50 Hz
Power wiring (outdoor)	(2+T)x4 mm ²
Communication wiring	(3+T)x2,50 mm ²
Max. input	19 A
Refrigerating pipes	4x Ø1/4" / 3x Ø3/8" + 1x Ø1/2"
Refrigerant charge / Additional charge	2,10 kg / 0,012 kg
Max. pipe length	80 m
Max. pipe length (1 indoor unit)	35 m
Height difference between indoor and outdoor units	15 m
Height difference between indoor units	10 m

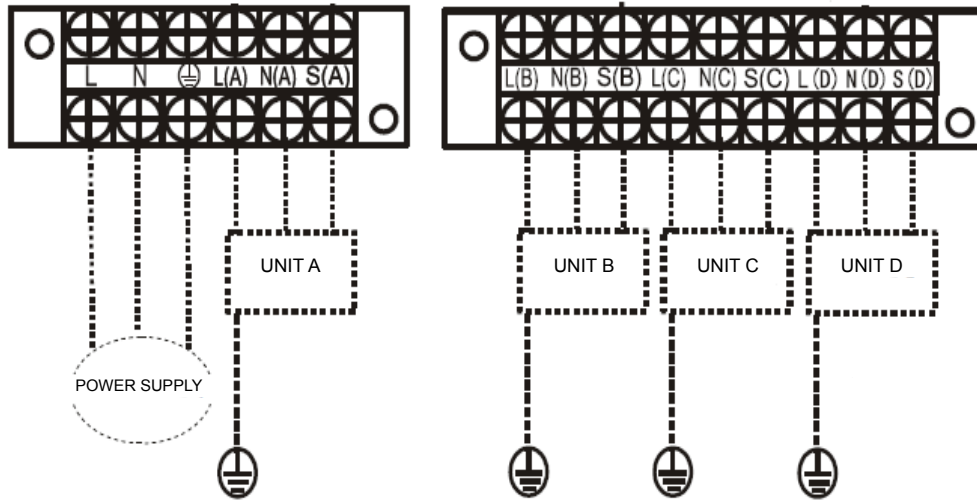
NOTES:

(1) The data and specifications present in this sheet may vary without notice.

(2) The images on this sheet are indicative and may be different from the final machine.

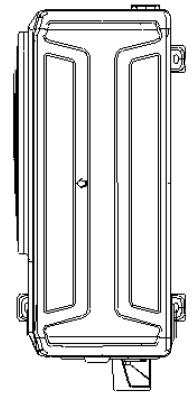
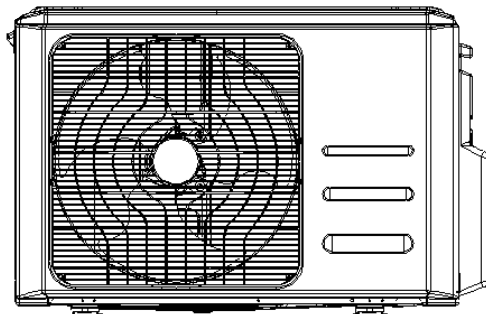
Edition 2024/05

WIRING DIAGRAM

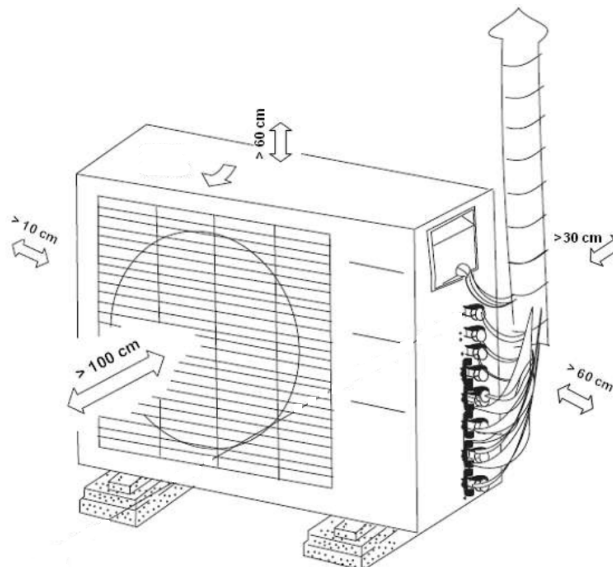


DIMENSIONS & WEIGHT OF OUTDOOR UNIT

Model	KAM4-80 DR7
Width	946 mm
Height	810 mm
Depth	410 mm
Weight	62,10 kg



INSTALLATION



Outdoor units

Multisystem

PRODUCT SHEET



Product certified by:



FEATURES

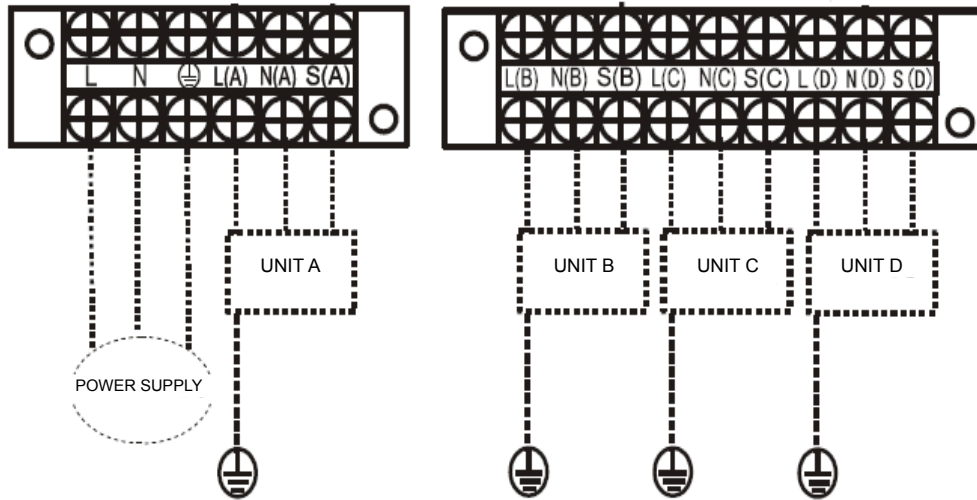
Model	KAM4-105 DR7
Max. indoor units	4
Cooling capacity	10,55 kW
Cooling power input	3,26 kW
Heating capacity	11,14 kW
Heating power input	2,84 kW
Airflow	4.000 m ³ /h
Sound pressure	63 dB(A)
Power supply	220-240 / 1 / 50 Hz
Power wiring (outdoor)	(2+T)x6 mm ²
Communication wiring	(3+T)x2,50 mm ²
Max. input	21,50 A
Refrigerating pipes	4x Ø1/4" / 3x Ø3/8" + 1x Ø1/2"
Refrigerant charge / Additional charge	2,10 kg / 0,012 kg
Max. pipe length	80 m
Max. pipe length (1 indoor unit)	35 m
Height difference between indoor and outdoor units	15 m
Height difference between indoor units	10 m

NOTES:

(1) The data and specifications present in this sheet may vary without notice.

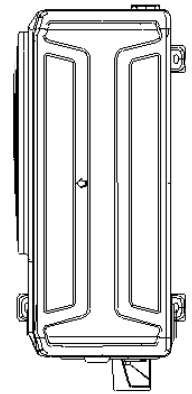
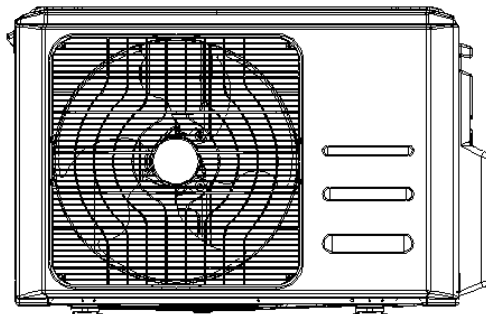
(2) The images on this sheet are indicative and may be different from the final machine.

WIRING DIAGRAM

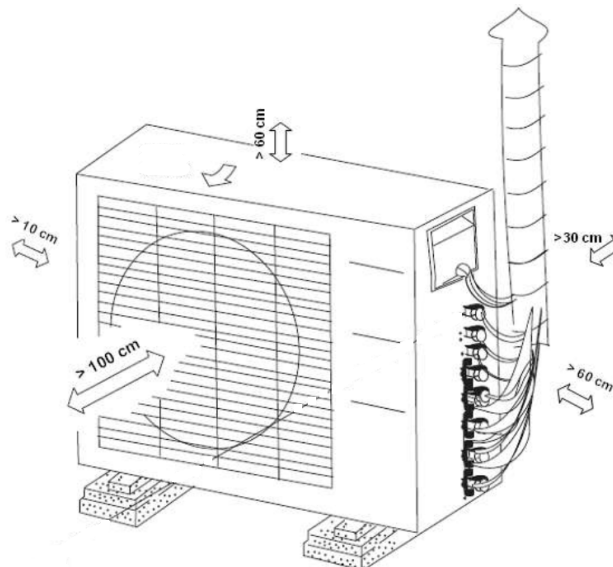


DIMENSIONS & WEIGHT OF OUTDOOR UNIT

Model	KAM4-105 DR7
Width	946 mm
Height	810 mm
Depth	410 mm
Weight	68,80 kg



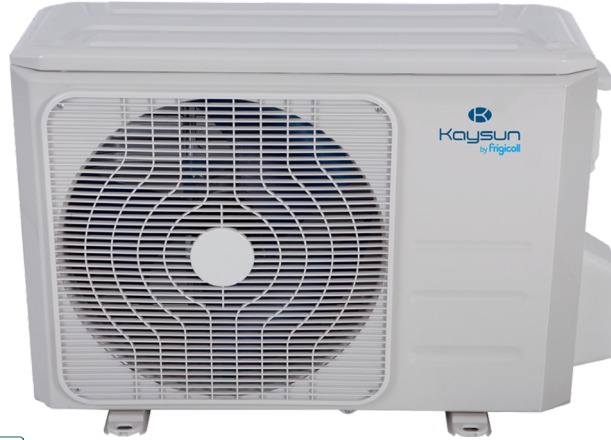
INSTALLATION



Outdoor units

Multisystem

PRODUCT SHEET



Product certified by:



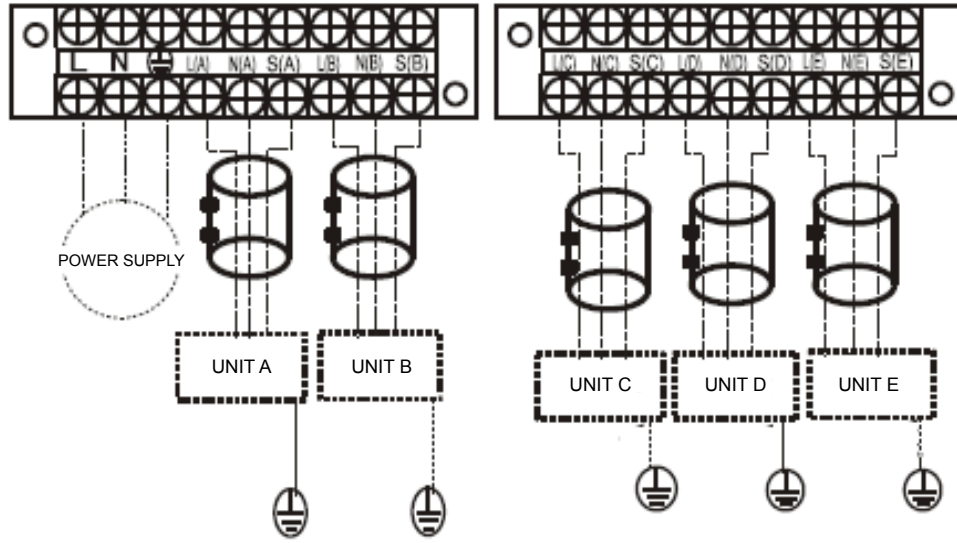
FEATURES

Model	KAM5-120 DR8
Max. indoor units	5
Cooling capacity	12,31 kW
Cooling power input	3,80 kW
Heating capacity	12,60 kW
Heating power input	3,30 kW
Airflow	3.850 m ³ /h
Sound pressure	61,50 dB(A)
Power supply	220-240 V / 1 / 50 Hz
Power wiring (outdoor)	(2+T)x6 mm ²
Communication wiring	(3+T)x2,50 mm ²
Max. input	22 A
Refrigerating pipes	5x Ø1/4" / 4x Ø3/8" + 1x Ø1/2"
Refrigerant charge / Additional charge	2,90 kg / 0,012 kg
Max. pipe length	80 m
Max. pipe length (1 indoor unit)	35 m
Height difference between indoor and outdoor units	15 m
Height difference between indoor units	10 m

NOTES:

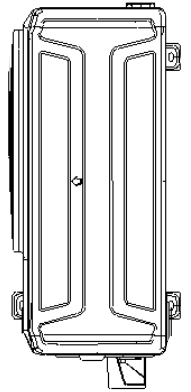
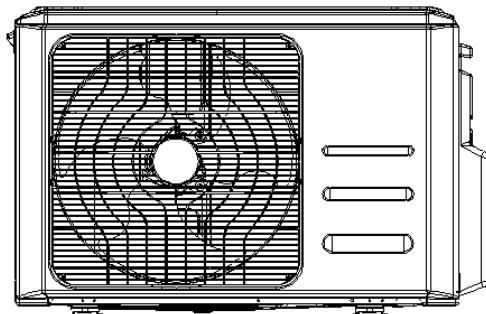
- (1) The data and specifications present in this sheet may vary without notice.
 (2) The images on this sheet are indicative and may be different from the final machine.

WIRING DIAGRAM



DIMENSIONS & WEIGHT OF OUTDOOR UNIT

Model	KAM5-120 DR8
Width	946 mm
Height	810 mm
Depth	410 mm
Weight	74,10 kg



INSTALLATION

