

Modular Full DC Inverter Heat Pump

Without Hydraulic Kit

PRODUCT SHEET



KCCHT-06 MODBUS
Standard control with Modbus protocol gateway. Included as standard

Product certified by:

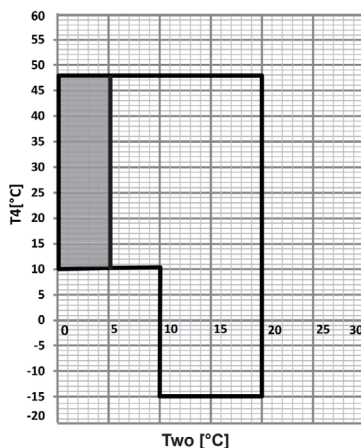


FEATURES

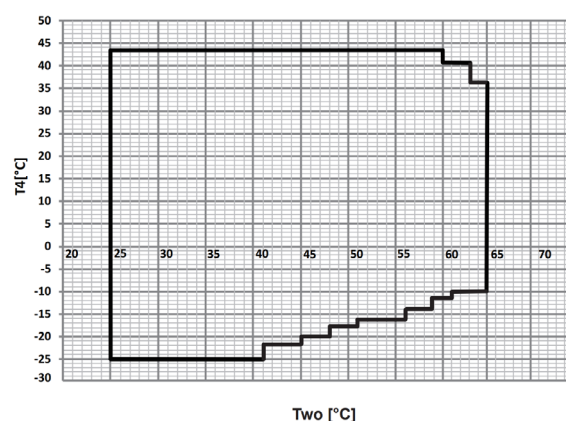
Model	KEM-HT-50 DR55
Cooling capacity	50,25 kW
Cooling power input	14,45 kW
Heating capacity	49,60 kW
Heating power input	12,26 kW
EER / COP	3,48 / 4,05
SEER	5,00
SCOP (average zone water 35 °C) - Energy class	4,50 - A+++
Compressor type / No. compressors	EVI Scroll Inverter / 1
No. fans	2
Air flow	22.000 m ³ /h
Sound pressure	64 dB(A)
Factory load	9 kg
Water flow	8,60 m ³ /h
Hydraulic connections	2"
Power supply	380-415 V / 3 / 50 Hz

OPERATING LIMITS

Cooling mode



Heating mode

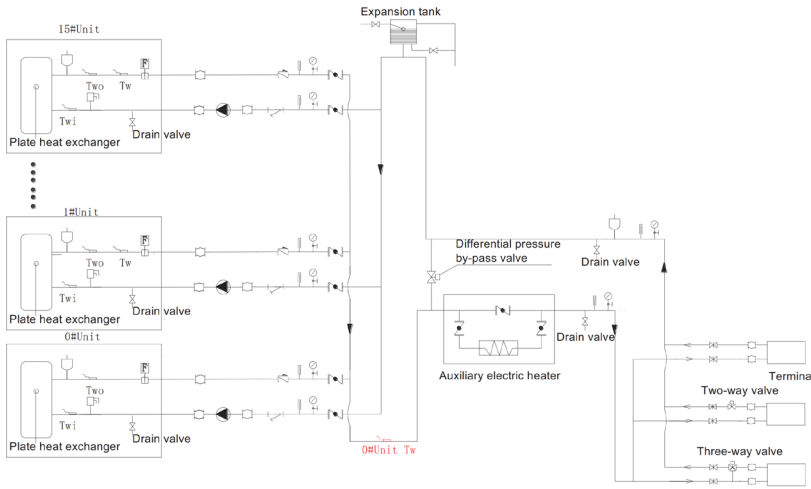






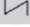


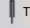


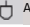

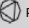
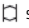



*To reach 65°C in supply air, the unit must be fitted with an external inverter pump.

NOTES:

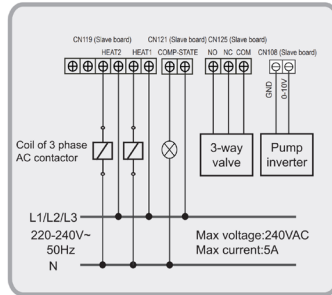
- (1) The data and specifications present in this sheet may vary without notice.
- (2) The images on this sheet are indicative and may be different from the final machine.

INSTALLATION COMPONENTS

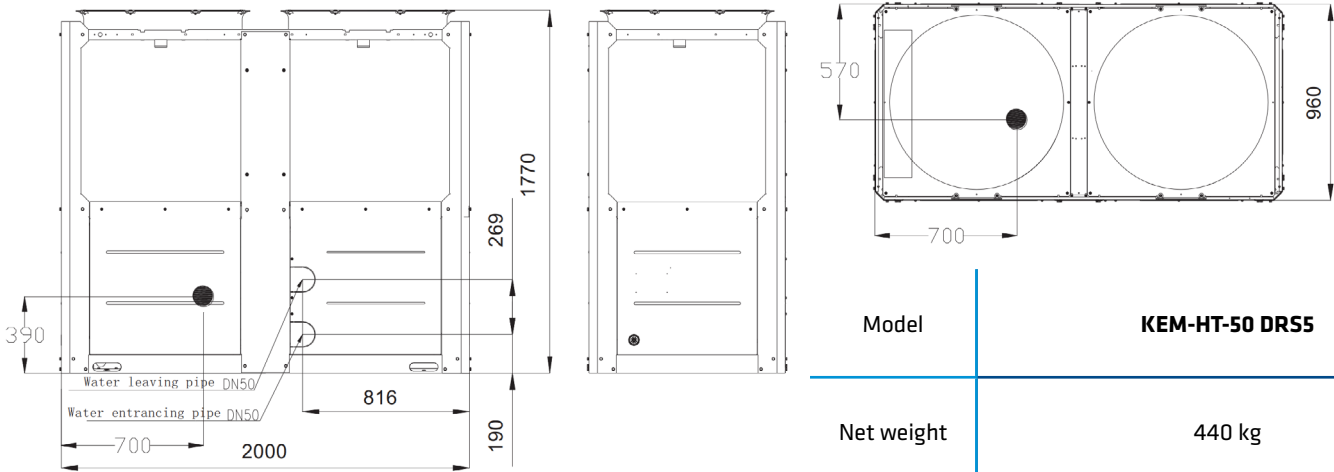


-  Drain valve
-  Y-filter
-  Expansion tank
-  Gate valve
-  Check valve
-  Solenoid three-way valve
-  Water pressure instrument
-  Thermometer
-  Safety valve
-  Differential pressure by-pass valve
-  Atmospheric exhaust valve
-  Water flow switch
-  Pump
-  Soft joint
-  Terminal
-  Two-way valve
-  Three-way valve

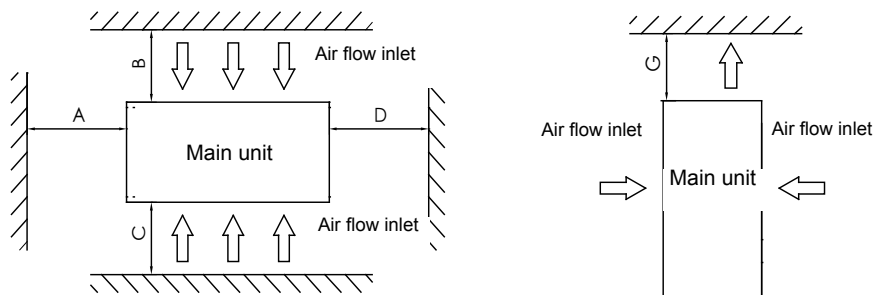
WIRING DIAGRAM



DIMENSIONS OF UNIT



INSTALLATION



A	B	C	D	G
≥ 1.500 mm	≥ 1.500 mm	≥ 1.500 mm	≥ 1.500 mm	≥ 3.000 mm

Modular Full DC Inverter Heat Pump

Without Hydraulic Kit

PRODUCT SHEET



KCCHT-06 MODBUS
Standard control with Modbus protocol gateway. Included as standard

Product certified by:

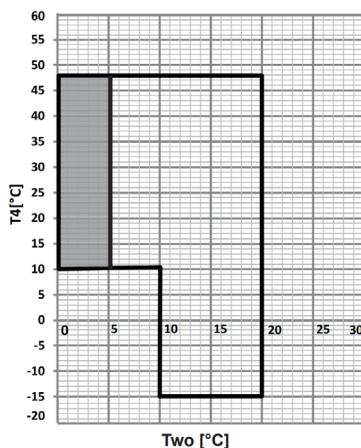


FEATURES

Model	KEM-HT-65 DR55
Cooling capacity	57 kW
Cooling power input	19,00 kW
Heating capacity	65 kW
Heating power input	18,30 kW
EER / COP	3,00 / 3,55
SEER	5,00
SCOP (average zone water 35 °C) - Energy class	4,50 - A+++
Compressor type / No. compressors	EVI Scroll Inverter / 1
No. fans	2
Air flow	22.000 m ³ /h
Sound pressure	64 dB(A)
Factory load	9 kg
Water flow	9,8 m ³ /h
Hydraulic connections	2"
Power supply	380-415 V / 3 / 50 Hz

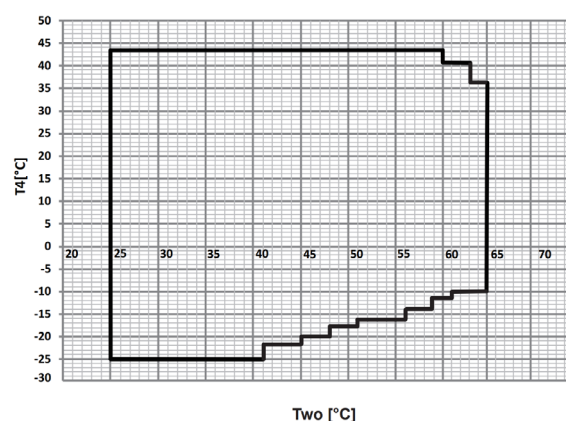
OPERATING LIMITS

Cooling mode



*To reach 65°C in supply air, the unit must be fitted with an external inverter pump.

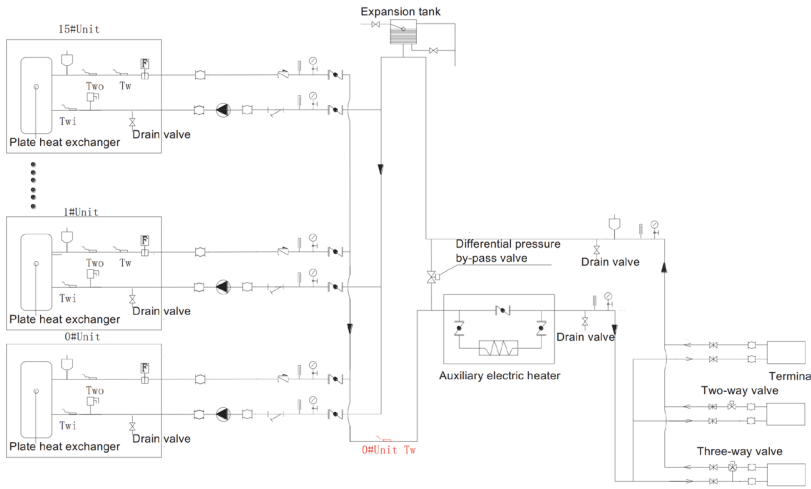
Heating mode

















NOTES:

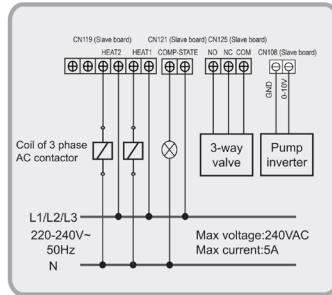
- (1) The data and specifications present in this sheet may vary without notice.
- (2) The images on this sheet are indicative and may be different from the final machine.

INSTALLATION COMPONENTS

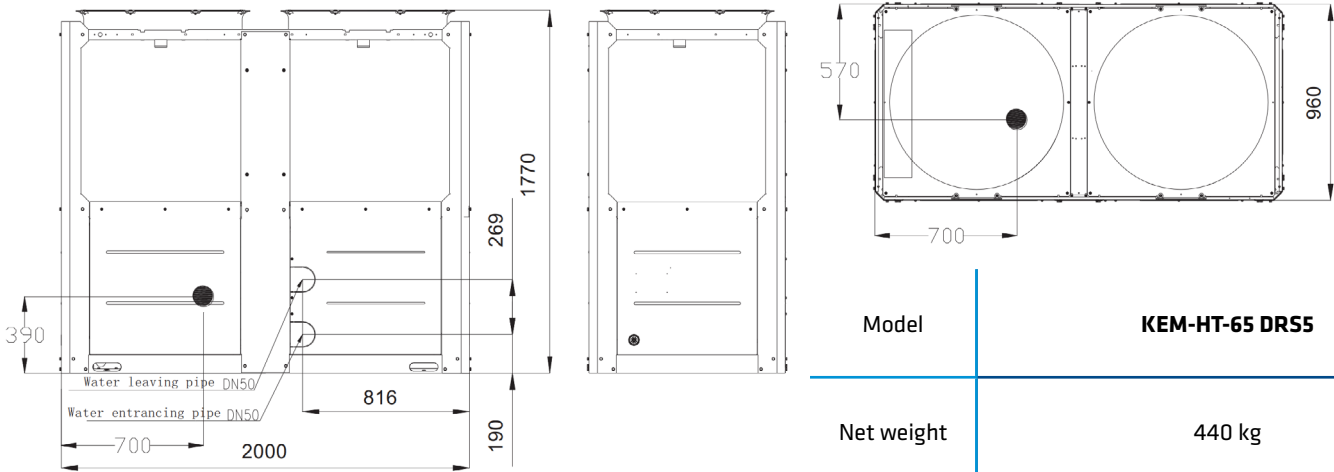


-  Drain valve
-  Y-filter
-  Expansion tank
-  Gate valve
-  Check valve
-  Solenoid three-way valve
-  Water pressure instrument
-  Thermometer
-  Safety valve
-  Differential pressure by-pass valve
-  Atmospheric exhaust valve
-  Water flow switch
-  Pump
-  Soft joint

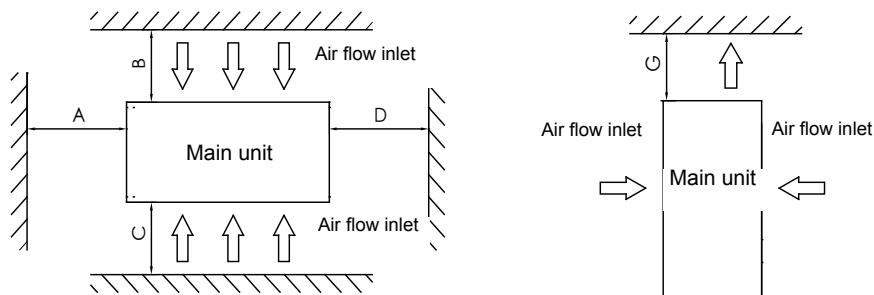
WIRING DIAGRAM



DIMENSIONS OF UNIT



INSTALLATION



A	B	C	D	G
≥ 1.500 mm	≥ 1.500 mm	≥ 1.500 mm	≥ 1.500 mm	≥ 3.000 mm

Modular Full DC Inverter Heat Pump

Without Hydraulic Kit

PRODUCT SHEET



KCCHT-06 MODBUS
Standard control with Modbus protocol gateway. Included as standard

Product certified by:

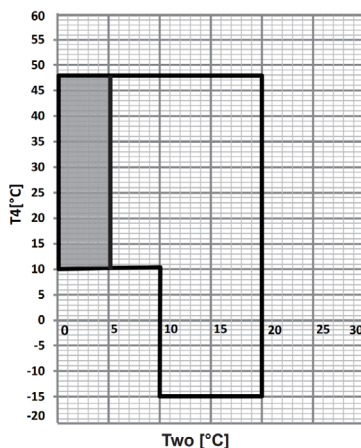


FEATURES

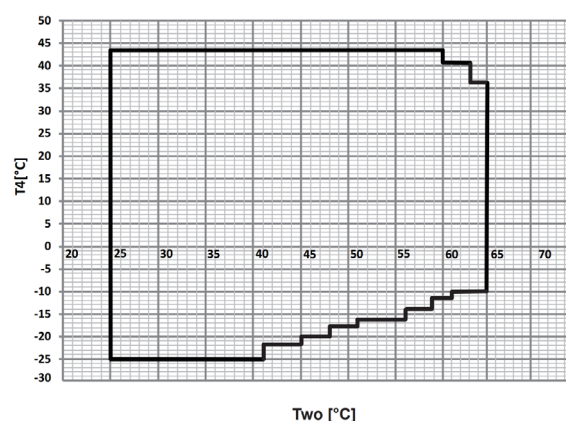
Model	KEM-HT-75 DRSS
Cooling capacity	70 kW
Cooling power input	26,80 kW
Heating capacity	75 kW
Heating power input	22,06 kW
EER / COP	2,61 / 3,40
SEER	5,00
SCOP (average zone water 35 °C) - Energy class	4,50 - A+++
Compressor type / No. compressors	EVI Scroll Inverter / 1
No. fans	2
Air flow	28.500 m ³ /h
Sound pressure	69 dB(A)
Factory load	9 kg
Water flow	12,4 m ³ /h
Hydraulic connections	2"
Power supply	380-415 V / 3 / 50 Hz

OPERATING LIMITS

Cooling mode



Heating mode

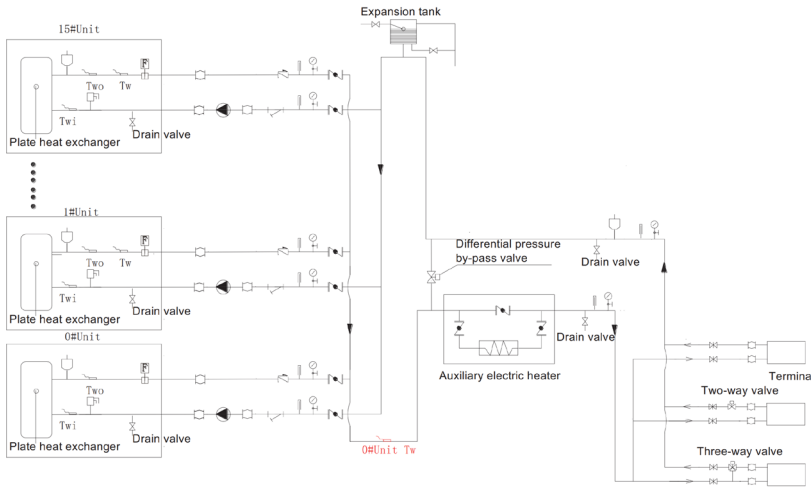


*To reach 65°C in supply air, the unit must be fitted with an external inverter pump.

NOTES:

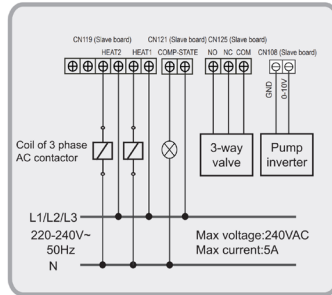
- (1) The data and specifications present in this sheet may vary without notice.
- (2) The images on this sheet are indicative and may be different from the final machine.

INSTALLATION COMPONENTS

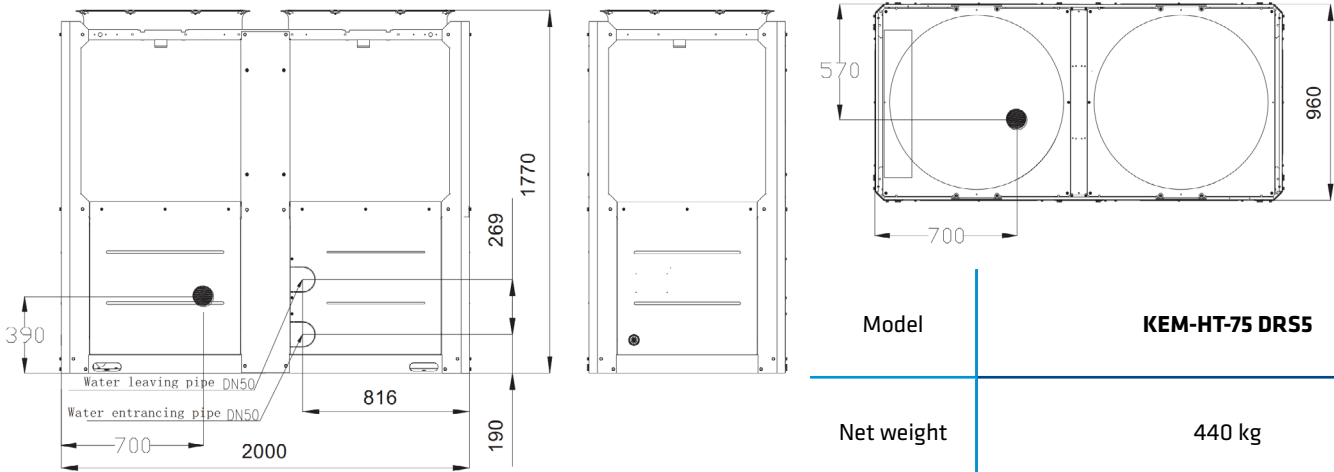


- Drain valve
- Water pressure instrument
- Water flow switch
- Y-filter
- Thermometer
- Pump
- Expansion tank
- Safety valve
- Soft joint
- Gate valve
- Differential pressure by-pass valve
- Check valve
- Atmospheric exhaust valve
- Solenoid three-way valve

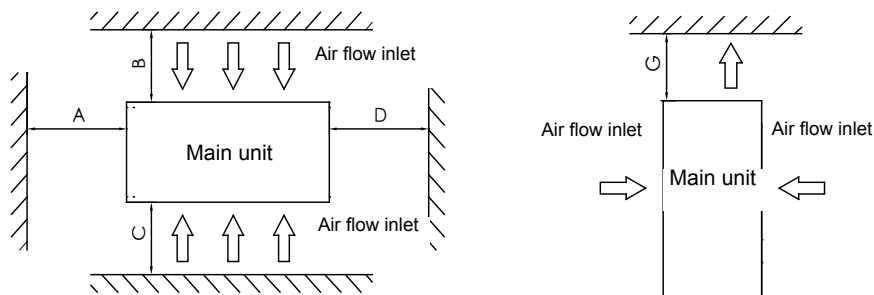
WIRING DIAGRAM



DIMENSIONS OF UNIT



INSTALLATION



A	B	C	D	G
≥ 1.500 mm	≥ 1.500 mm	≥ 1.500 mm	≥ 1.500 mm	≥ 3.000 mm

Modular Full DC Inverter Heat Pump

Without Hydraulic Kit

PRODUCT SHEET



KCCHT-06 MODBUS
Standard control with Modbus protocol gateway. Included as standard

Product certified by:

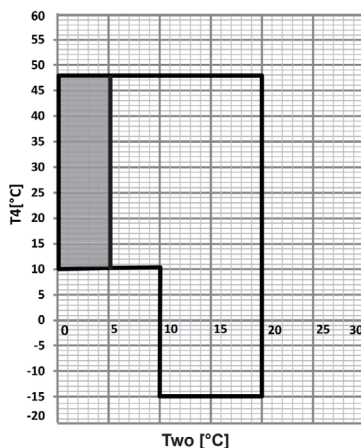


FEATURES

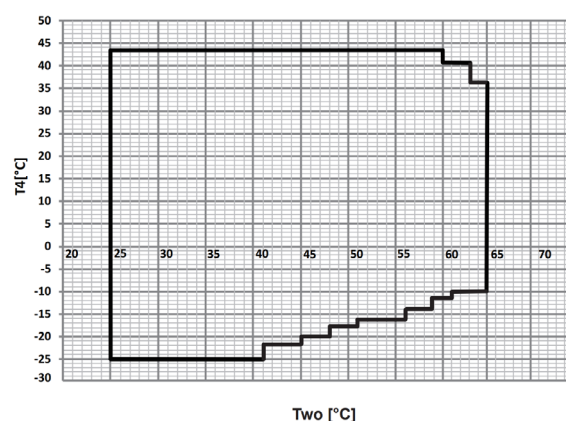
Model	KEM-HT-110 DR55
Cooling capacity	100 kW
Cooling power input	32,78 kW
Heating capacity	110 kW
Heating power input	29,90 kW
EER / COP	3,05 / 3,68
SEER	4,80
SCOP (average zone water 35 °C) - Energy class	4,25 - A++
Compressor type / No. compressors	EVI Scroll Inverter / 2
No. fans	2
Air flow	32.500 m ³ /h
Sound pressure	64 dB(A)
Factory load	11,5 kg / 4,0 kg
Water flow	17,2 m ³ /h
Hydraulic connections	2 1/2"
Power supply	380-415 V / 3 / 50 Hz

OPERATING LIMITS

Cooling mode



Heating mode

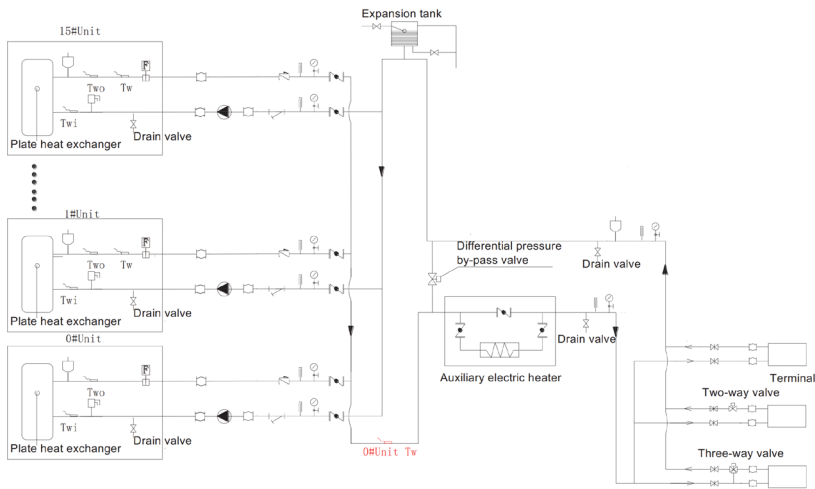


*To reach 65°C in supply air, the unit must be fitted with an external inverter pump.

NOTES:

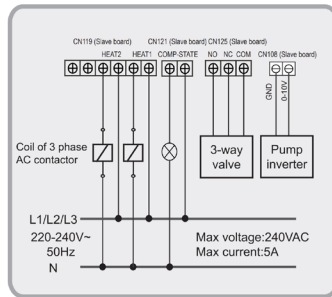
- (1) The data and specifications present in this sheet may vary without notice.
- (2) The images on this sheet are indicative and may be different from the final machine.

INSTALLATION COMPONENTS

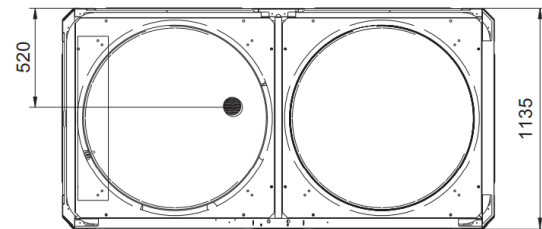
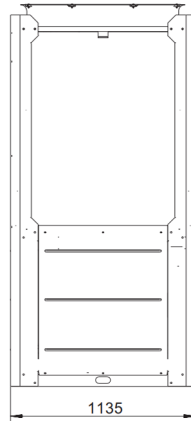
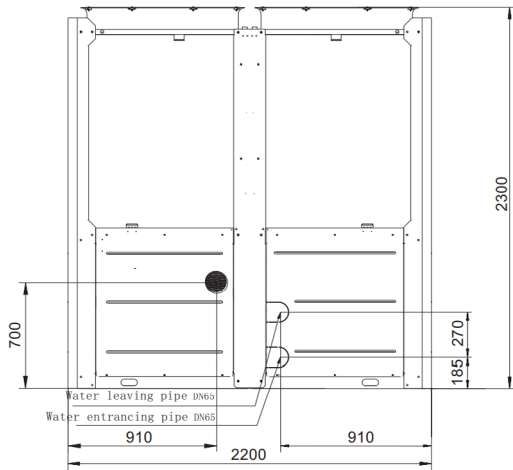


- | | | |
|--------------------------|-------------------------------------|-------------------|
| Drain valve | Water pressure instrument | Water flow switch |
| Y-filter | Thermometer | Pump |
| Expansion tank | Safety valve | Soft joint |
| Gate valve | Differential pressure by-pass valve | |
| Check valve | Atmospheric exhaust valve | |
| Solenoid three-way valve | | |

WIRING DIAGRAM

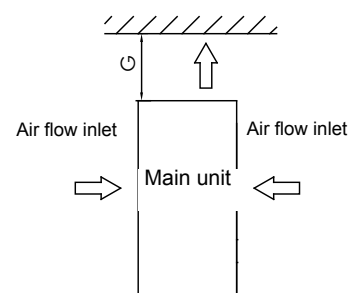
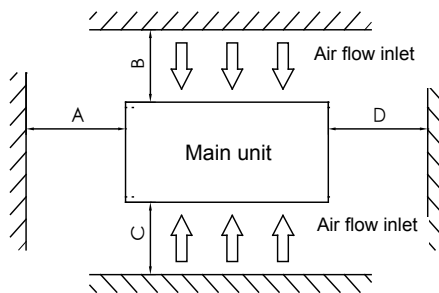


DIMENSIONS OF UNIT



Model	KEM-HT-110 DR55
Net weight	670 kg

INSTALLATION



A	B	C	D	G
≥ 1.500 mm	≥ 1.500 mm	≥ 1.500 mm	≥ 1.500 mm	≥ 3.000 mm

Modular Full DC Inverter Heat Pump

Without Hydraulic Kit

PRODUCT SHEET



KCCHT-06 MODBUS
Standard control with Modbus protocol gateway. Included as standard

Product certified by:

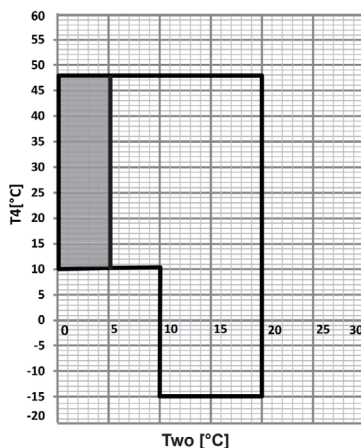


FEATURES

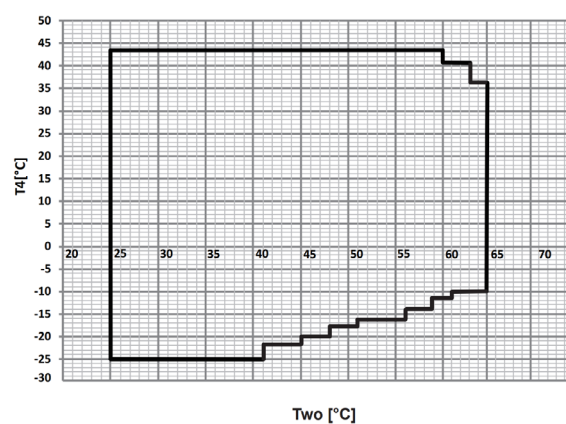
Model	KEM-HT-140 DR55
Cooling capacity	130 kW
Cooling power input	50 kW
Heating capacity	140 kW
Heating power input	44,70 kW
EER / COP	2,60 / 3,13
SEER	4,80
SCOP (average zone water 35 °C) - Energy class	4,25 - A++
Compressor type / No. compressors	EVI Scroll Inverter / 2
No. fans	2
Air flow	50.000 m ³ /h
Sound pressure	73 dB(A)
Factory load	11,5 kg / 4,0 kg
Water flow	22,36 m ³ /h
Hydraulic connections	2 1/2"
Power supply	380-415 V / 3 / 50 Hz

OPERATING LIMITS

Cooling mode



Heating mode

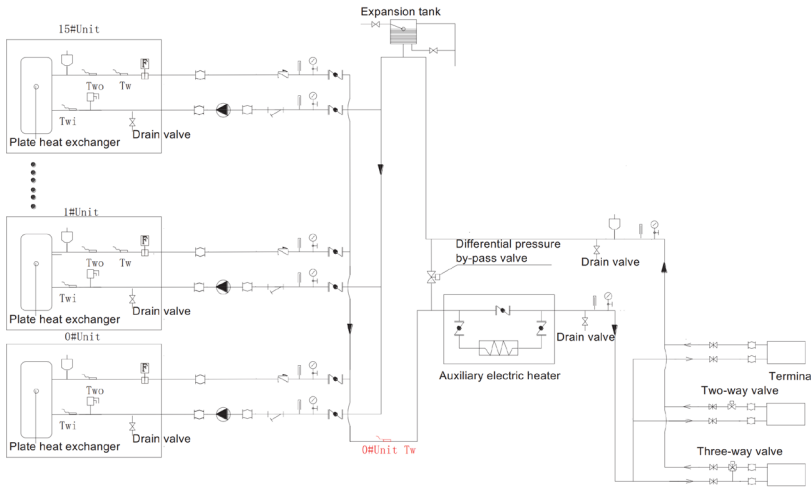


*To reach 65°C in supply air, the unit must be fitted with an external inverter pump.

NOTES:

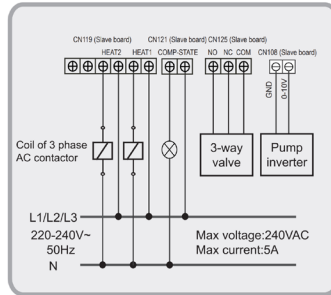
- (1) The data and specifications present in this sheet may vary without notice.
- (2) The images on this sheet are indicative and may be different from the final machine.

INSTALLATION COMPONENTS

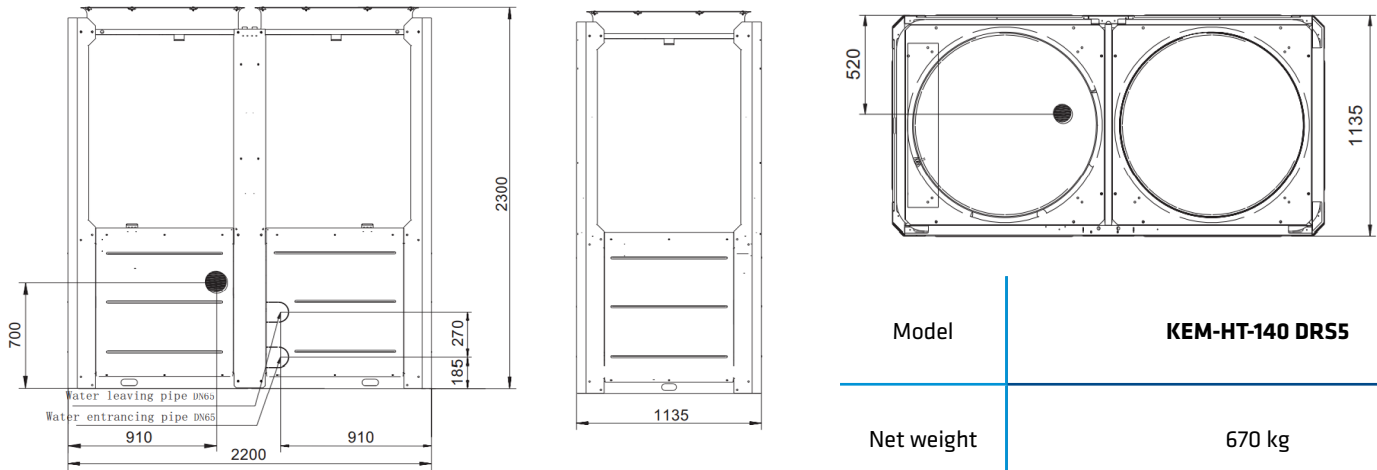


- | | | |
|--------------------------|-------------------------------------|-------------------|
| Drain valve | Water pressure instrument | Water flow switch |
| Y-filter | Thermometer | Pump |
| Expansion tank | Safety valve | Soft joint |
| Gate valve | Differential pressure by-pass valve | |
| Check valve | Atmospheric exhaust valve | |
| Solenoid three-way valve | | |

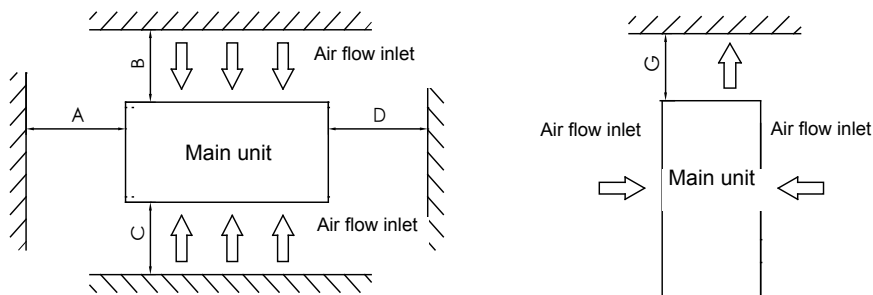
WIRING DIAGRAM



DIMENSIONS OF UNIT



INSTALLATION



A	B	C	D	G
≥ 1.500 mm	≥ 1.500 mm	≥ 1.500 mm	≥ 1.500 mm	≥ 3.000 mm