



Floor Standing Compak

PRODUCT SHEET



Product certified by:  

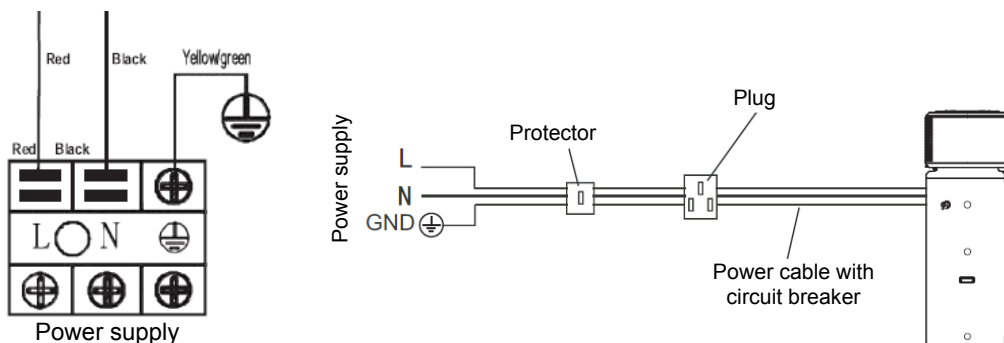


FEATURES

Model	KHP-15/185 ACS3
Heating capacity ¹	1,50 kW
Heating power input ¹	0,38 kW
Tank volume	185 L
Air flow	182/230/270 m ³ /h
Sound pressure	41 dB(A)
Working weight	120 kg
Temperature range water outlet	38°C - 70°C (up to + 70°C during disinfection with electrical resistance)
Temperature range ambient operating	-7°C - 43°C
Hydraulic connections	Ø3/4" (DN20)
Drain connections	Ø3/4" (DN20)
Backup heater	3 kW
Exchanger	Copper tubing around the tank
Power supply	220-240 V / 1 / 50 Hz
Power wiring	3x4 mm
Manual switch capacity / Fuse	25 / 20 A

¹ Outdoor temperature 15/12°C (DB/WB), water inlet 15°C, water outlet 45°C

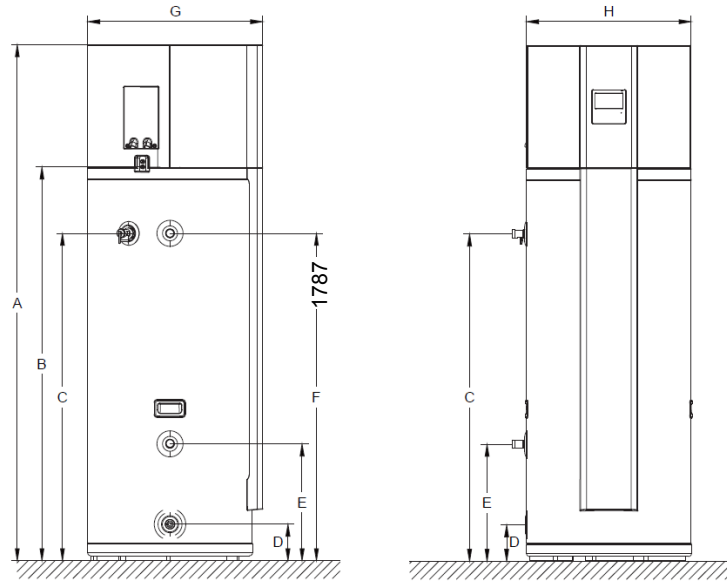
WIRING DIAGRAM



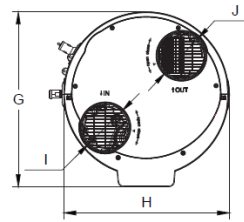
NOTES:

- (1) The data and specifications present in this sheet may vary without notice.
- (2) The images on this sheet are indicative and may be different from the final machine.

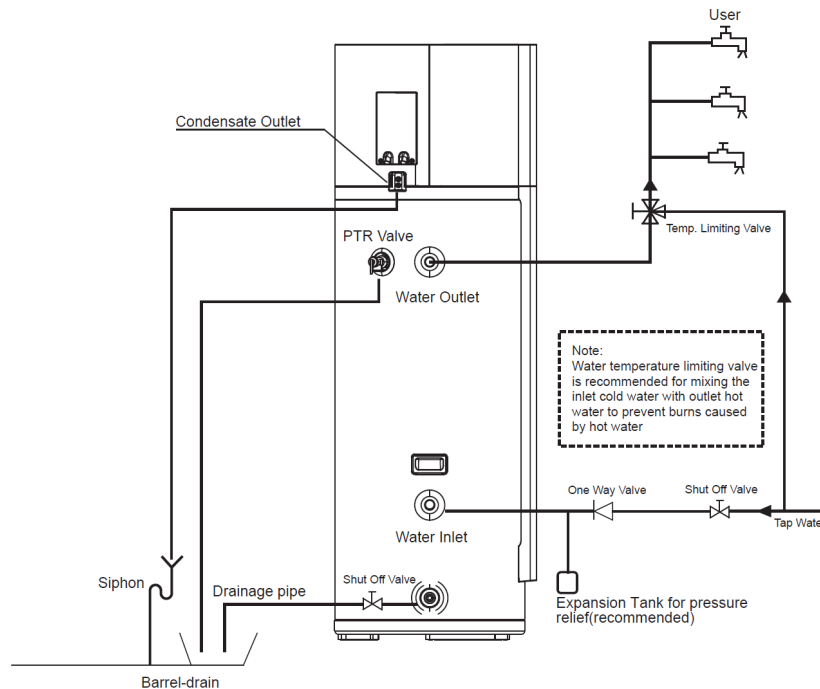
DIMENSIONS OF UNIT & SPACE FOR INSTALLATION



	Description	Spec.	Heigh
A	Unit body	1730mm	/
B	Drain vent	/	1325mm
C	PTR valve	R3/4	1100mm
D	Drain pipe	NPT3/4	125mm
E	Water inlet	DN20	395mm
F	Water outlet	DN20	1100mm
G	Unit body	595mm	/
H	Unit body	560mm	/
I	Air inlet	160mm	/
J	Air outlet	160mm	/



HYDRAULIC DIAGRAM



- Connect water pipes as the above figure.
- Chek before connection, make sure the pipe is clean and free of any foreign matter.