

## PRODUCT SHEET

## One Way Cassette S8


 KI-05  
Recommended control

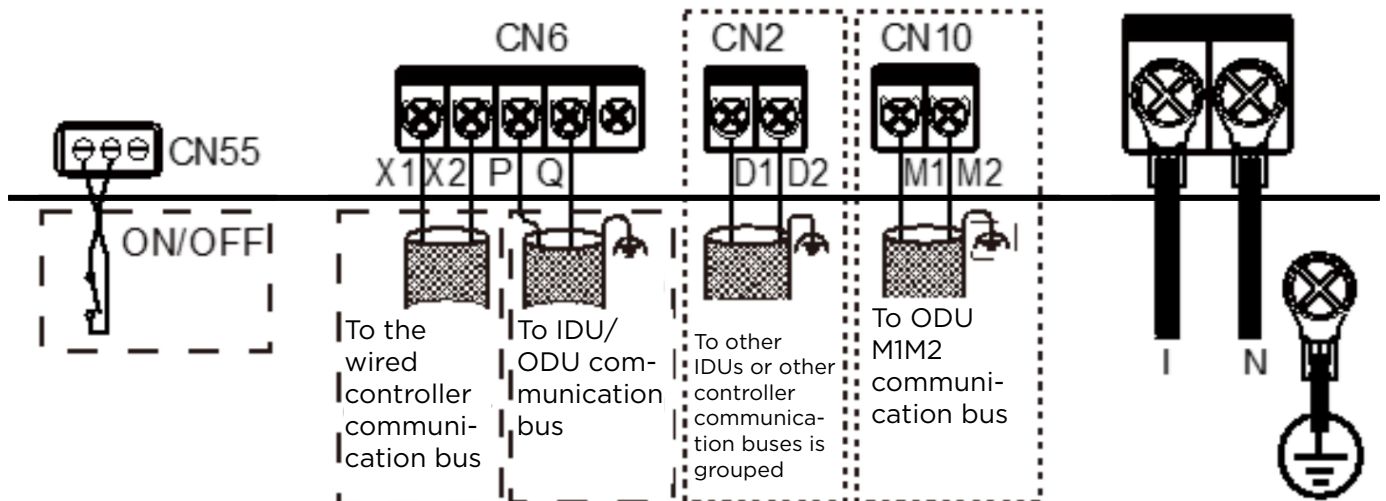
Product certified by:



## FEATURES

Model	KCOF-22 DN5.0	KCOF-36 DN5.0	KCOF-71 DN5.0
Nominal cooling capacity	2,2 kW	3,6 kW	7,1 kW
Nominal heating capacity	2,6 kW	4 kW	8 kW
Consumption	25 W	30 W	60 W
Power supply	220-240/1/50	220-240/1/50	220-240/1/50
Max. intensity	15 A	15 A	15 A
Air flow rate	240/263/286/300/330/355/380 m <sup>3</sup> /h	300/330/355/380/410/440/460 m <sup>3</sup> /h	592/637/689/749/815/873/933 m <sup>3</sup> /h
Sound pressure	22/24/25/26/27/28/30 dB(A)	30/31/32/34/35/37/38 dB(A)	35/36/37/39/40/41/43dB(A)
Liquid pipe diameter	Ø1/4"mm / Ø1/2"mm	Ø1/4"mm / Ø1/2"mm	Ø3/8"mm / Ø5/8"mm
Gas pipe diameter	Ø25 mm	Ø25 mm	Ø25 mm

## CIRCUIT DIAGRAM

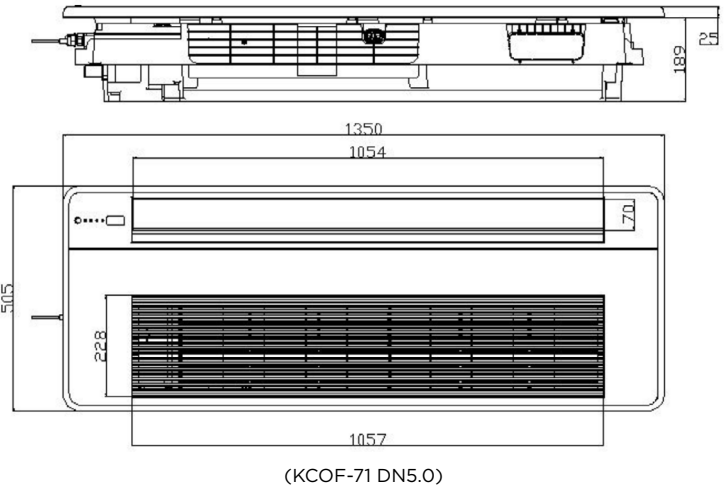
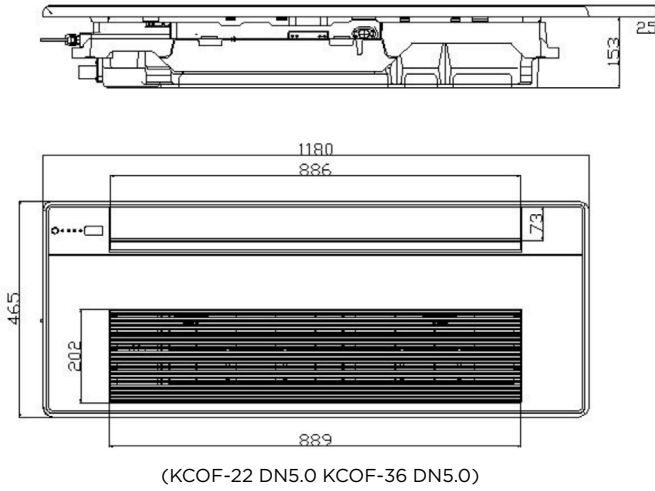


## NOTES:

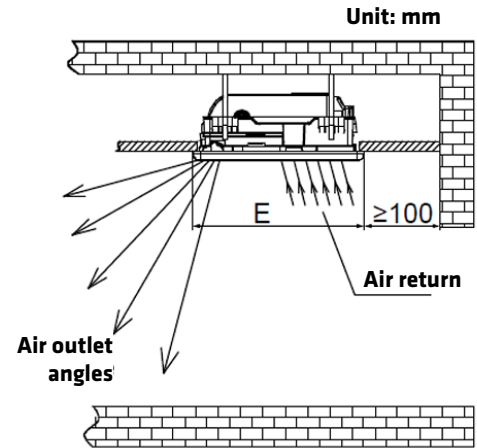
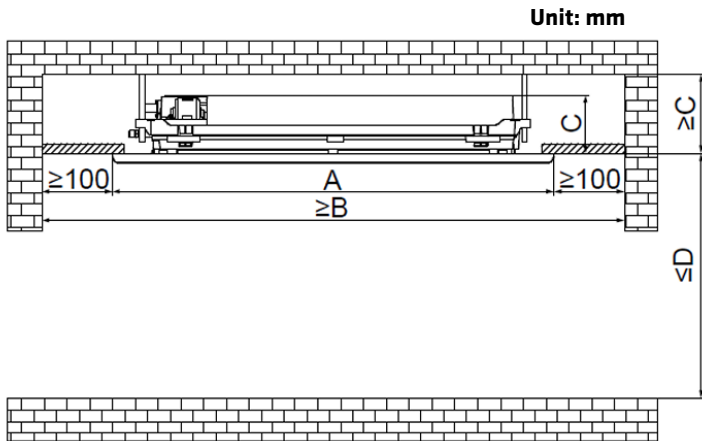
- (1) The data and specifications in this sheet are subject to change without notice.
- (2) The images in this sheet are for guidance only and may be different from the actual machine.
- (3) Cooling capacity conditions: Indoor temperature 27°C DB/19°C WB; Outdoor temperature 35°C DB; Equivalent refrigerant piping length 7.5 m with zero level difference; Data calculated with Duct type indoor unit. Heating capacity conditions: Indoor temperature 20°C DB; Outdoor temperature 7°C DB/6°C WB; Equivalent refrigerant piping length 7.5 m with zero level difference; Data calculated with Duct type indoor unit.
- (4) Sound pressure level is measured at a position 1 m in front of the unit and 1.3 m above the floor in a semi-anechoic chamber.

## DIMENSIONS & WEIGHT

Model	KCOF-22 DN5.0	KCOF-36 DN5.0	KCOF-71 DN5.0
Inner unit weight	11,5 kg	11,8 kg	15,8 kg



## INSTALLATION



Model	KCOF-22 DN5.0	KCOF-36 DN5.0	KCOF-71 DN5.0
A	1.180 mm	1.180 mm	1.350 mm
B	1.380 mm	1.380 mm	1.550 mm
C	153 mm	153 mm	189 mm
D	3.200 mm	3.200 mm	4.000 mm
E	465 mm	465 mm	505 mm