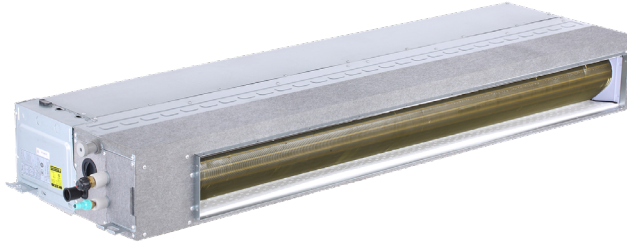


PRODUCT SHEET

Mini Amazon Hybrid Ducts Low Pressure



KCT-05 SRPSWF
Recommended control

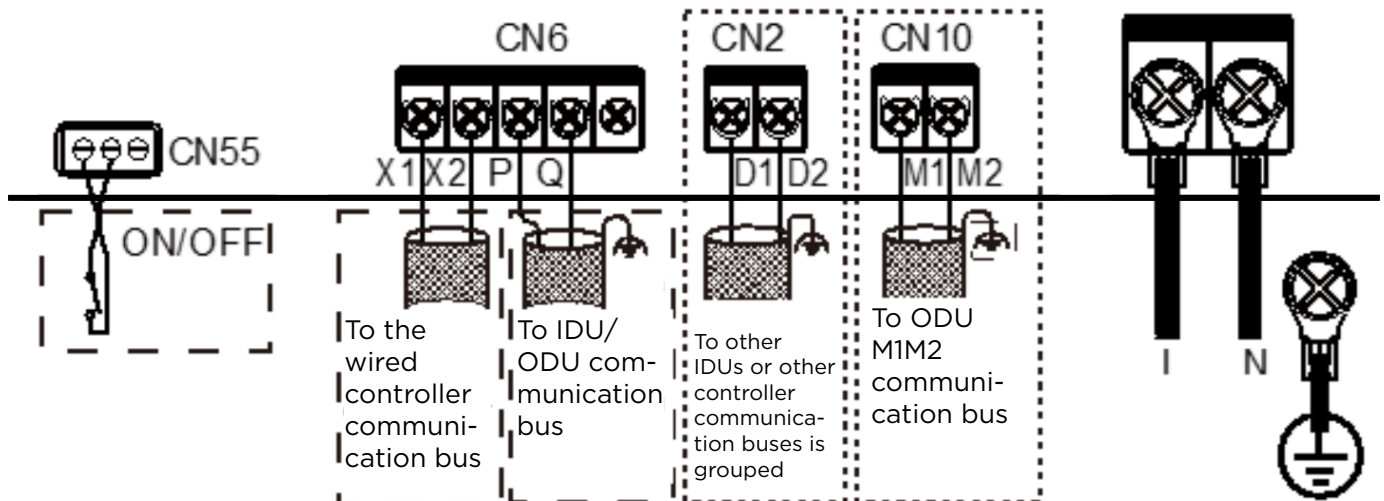
Product certified by:



FEATURES

Model	KPDF-22 DR5.0H	KPDF-28 DR5.0H	KPDF-36 DR5.0H
Nominal cooling capacity	2,20 kW	2,80 kW	3,60 kW
Nominal heating capacity	2,50 kW	3,20 kW	4,00 kW
Consumption	22 W	28 W	31 W
Power supply	220-240/1/50	220-240/1/50	220-240/1/50
MCA: Minimum circuit amperes	0,88 A	0,88 A	0,94 A
MFA: Max. fuse amperes	15 A	15 A	15 A
Air flow rate	295/306/314/322/339/347/370 m3/h	300/323/351/380/413/431/460 m3/h	320/365/414/453/508/557/605 m3/h
Max. static pressure	50 Pa	50 Pa	50 Pa
Sound pressure	22/24/25/26/27/28/28 dB(A)	22/25/26/28/29/30/30 dB(A)	25/26/27/28/29/30/30 dB(A)
Liquid pipe diameter	6,35 mm	6,35 mm	6,35 mm
Gas pipe diameter	12,7 mm	12,7 mm	12,7 mm

CIRCUIT DIAGRAM

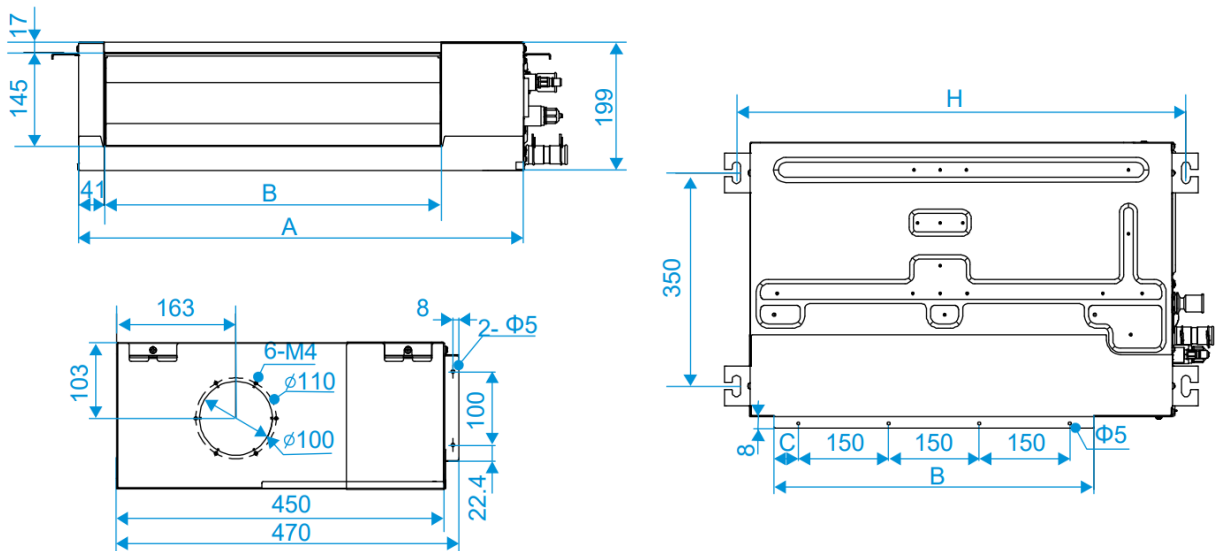


NOTES:

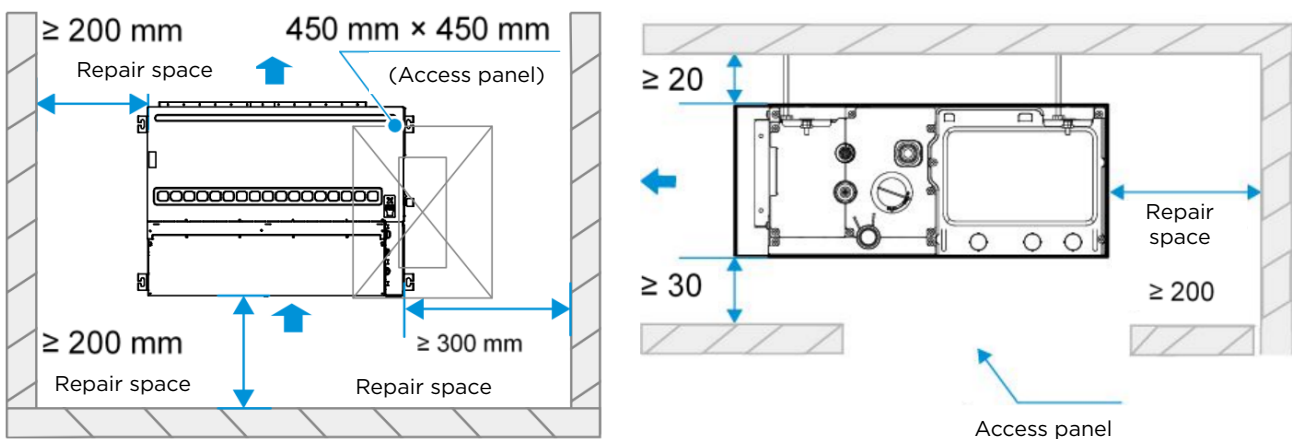
- (1) The data and specifications in this sheet are subject to change without notice.
- (2) The images in this sheet are for guidance only and may be different from the actual machine.
- (3) Cooling capacity conditions: Indoor temperature 27°C DB/19°C WB; Outdoor temperature 35°C DB; Equivalent refrigerant piping length 7.5 m with zero level difference; Data calculated with Duct type indoor unit. Heating capacity conditions: Indoor temperature 20°C DB; Outdoor temperature 7°C DB/6°C WB; Equivalent refrigerant piping length 7.5 m with zero level difference; Data calculated with Duct type indoor unit.
- (4) Sound pressure level is measured at a position 1 m in front of the unit and 1.3 m above the floor in a semi-anechoic chamber.

DIMENSIONS & WEIGHT

	KPDF-22 DR5.0H	KPDF-28 DR5.0H	KPDF-36 DR5.0H
Width	653 mm	653 mm	803 mm
Height	199 mm	199 mm	199 mm
Depth	470 mm	470 mm	470 mm
Inner unit weight	11,5 kg	11,5 kg	13 kg

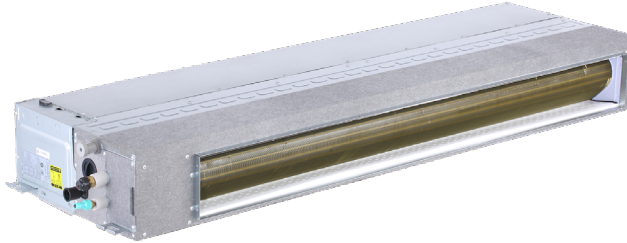


INSTALLATION



PRODUCT SHEET

Mini Amazon Hybrid Ducts Low Pressure



WDC3-86T

Recommended control

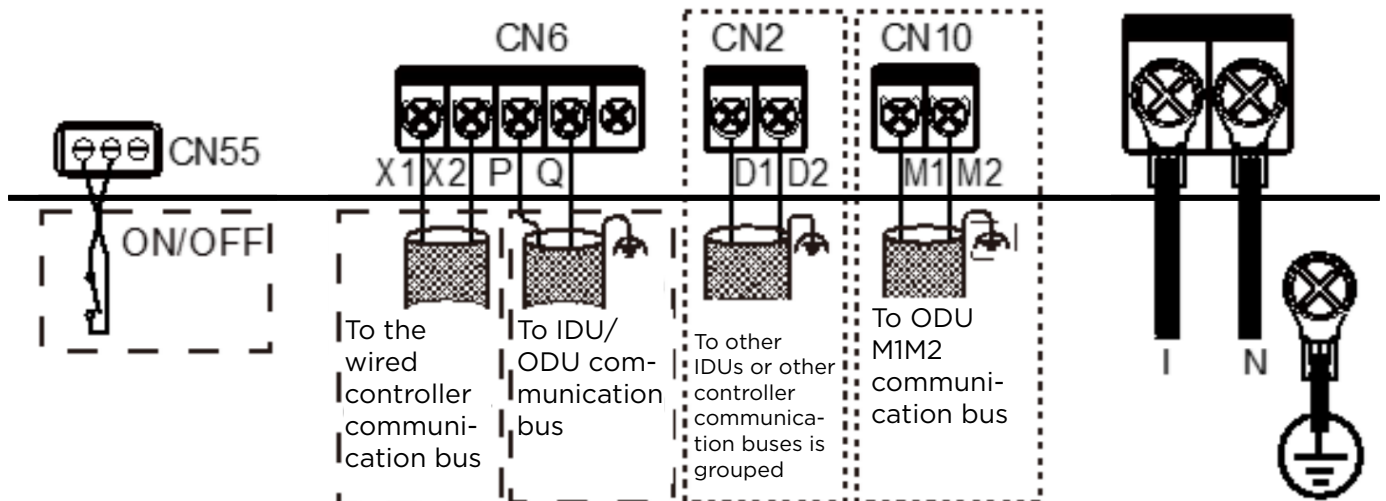
Product certified by:



FEATURES

Model	KPDF-56 DR5.0H	KPDF-71 DR5.0H
Nominal cooling capacity	5,60 kW	7,10 kW
Nominal heating capacity	6,30 kW	8,00 kW
Consumption	58 W	65 W
Power supply	220-240/1/50	220-240/1/50
MCA: Minimum circuit amperes	1,1 A	1,2 A
MFA: Max. fuse amperes	15 A	15 A
Air flow rate	470/549/580/682/761/800/900 m ³ /h	580/671/763/860/957/1033/1145 m ³ /h
Max. static pressure	50 Pa	50 Pa
Sound pressure	27/29/31/33/34/35/36 dB(A)	29/30/31/33/34/35/37 dB(A)
Liquid pipe diameter	6,35 mm	9,52 mm
Gas pipe diameter	12,7 mm	15,9 mm

CIRCUIT DIAGRAM



NOTES:

(1) The data and specifications in this sheet are subject to change without notice.

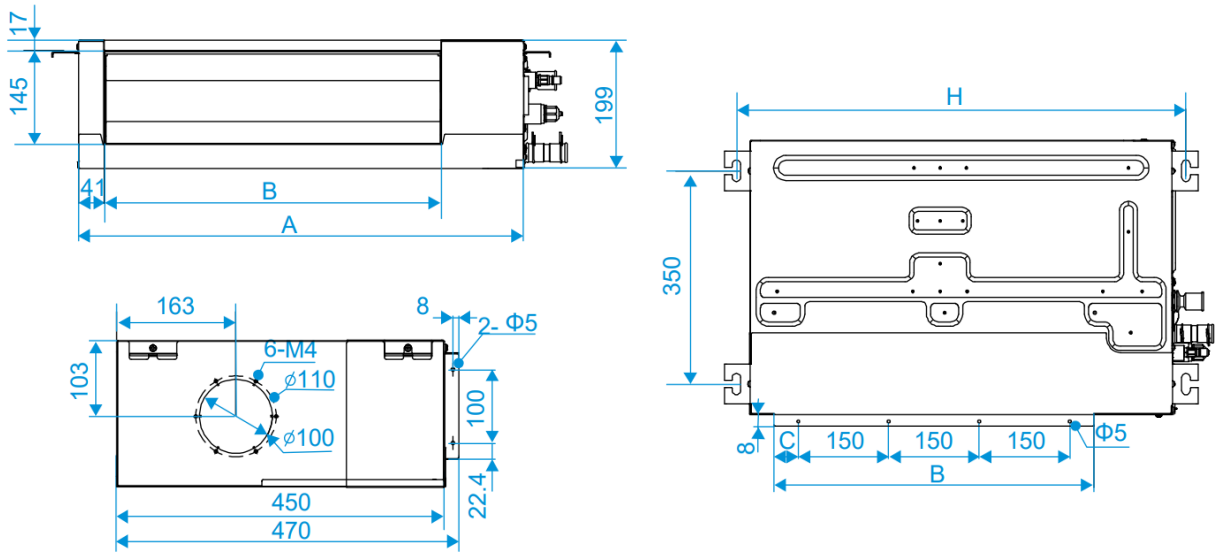
(2) The images in this sheet are for guidance only and may be different from the actual machine.

(3) Cooling capacity conditions: Indoor temperature 27°C DB/19°C WB; Outdoor temperature 35°C DB; Equivalent refrigerant piping length 7.5 m with zero level difference; Data calculated with Duct type indoor unit. Heating capacity conditions: Indoor temperature 20°C DB; Outdoor temperature 7°C DB/6°C WB; Equivalent refrigerant piping length 7.5 m with zero level difference; Data calculated with Duct type indoor unit.

(4) Sound pressure level is measured at a position 1 m in front of the unit and 1.3 m above the floor in a semi-anechoic chamber.

DIMENSIONS & WEIGHT

	KPDF-56 DR5.0H	KPDF-71 DR5.0H
Width	1.003 mm	1.203 mm
Height	199 mm	199 mm
Depth	470 mm	470 mm
Inner unit weight	16,5 kg	20 kg



INSTALLATION

