

Mini Amazon Hybrid Cassettes 840x840

PRODUCT SHEET



KI-07
Recommended control

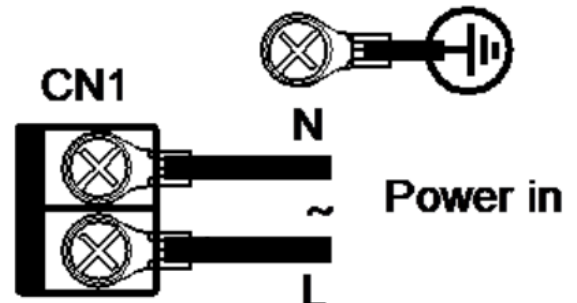
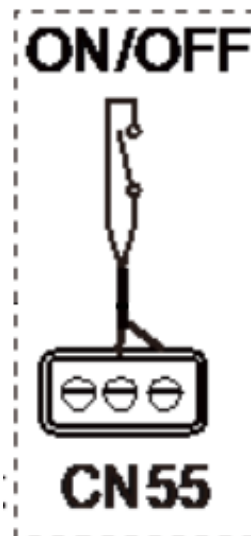
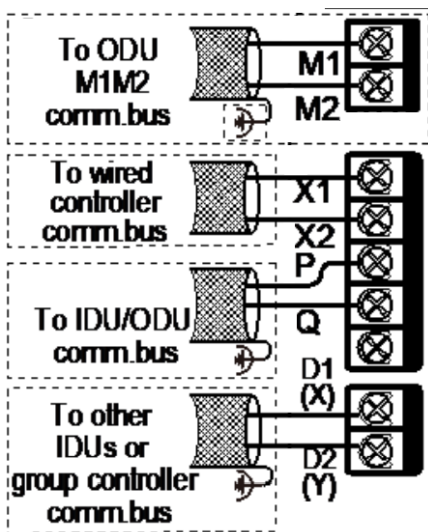
Product certified by:



FEATURES

Model	KCIBF-71 DR5.0H
Nominal cooling capacity	7,10 kW
Nominal heating capacity	8,00 kW
Consumption	31 W
Power supply	220-240/1/50
MCA: Minimum circuit amperes	0,94 A
MFA: Max. fuse amperes	15 A
Air flow rate	658/715/772/829/886/943/1000 m ³ /h
Max. static pressure	50 Pa
Sound pressure	29/30/32/33/34/36/37 dB(A)
Liquid pipe diameter	9,52 mm
Gas pipe diameter	15,9 mm

CIRCUIT DIAGRAM



NOTES:

(1) The data and specifications in this sheet are subject to change without notice.

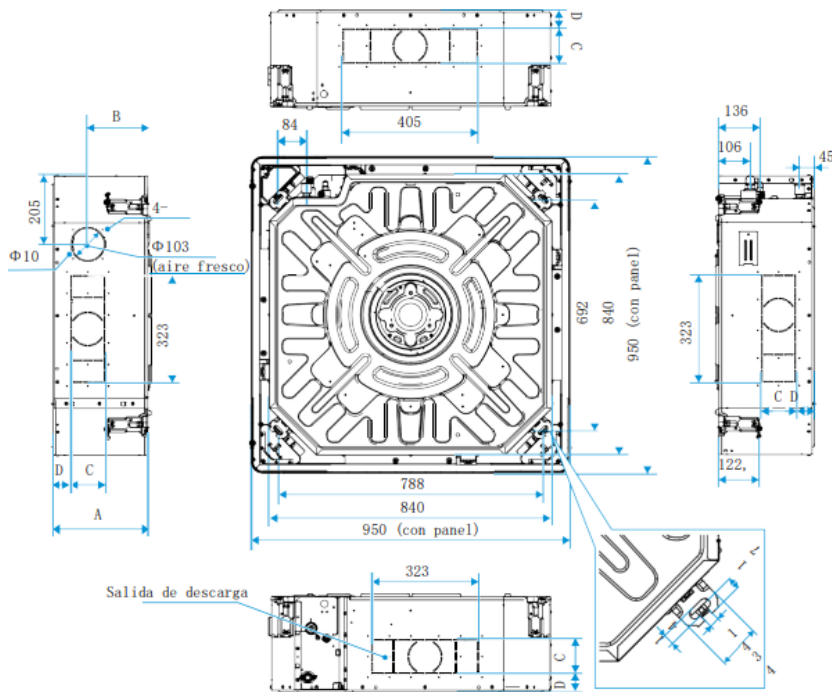
(2) The images in this sheet are for guidance only and may be different from the actual machine.

(3) Cooling capacity conditions: Indoor temperature 27°C DB/19°C WB; Outdoor temperature 35°C DB; Equivalent refrigerant piping length 7.5 m with zero level difference; Data calculated with Duct type indoor unit. Heating capacity conditions: Indoor temperature 20°C DB; Outdoor temperature 7°C DB/6°C WB; Equivalent refrigerant piping length 7.5 m with zero level difference; Data calculated with Duct type indoor unit.

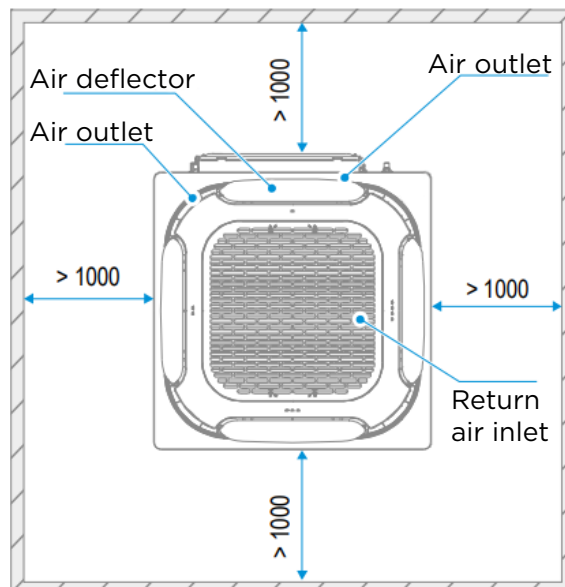
(4) Sound pressure level is measured at a position 1 m in front of the unit and 1.3 m above the floor in a semi-anechoic chamber.

DIMENSIONS & WEIGHT

	KCIBF-71 DR5.0H
A	246 mm
B	163 mm
C	103 mm
D	41,5 mm
Inner unit weight	22 kg
Model Panel	KPA-01E1
Weight Panel	5,8 kg



INSTALLATION



Mini Amazon Hybrid Cassettes

840x840

PRODUCT SHEET



KI-07
Recommended control

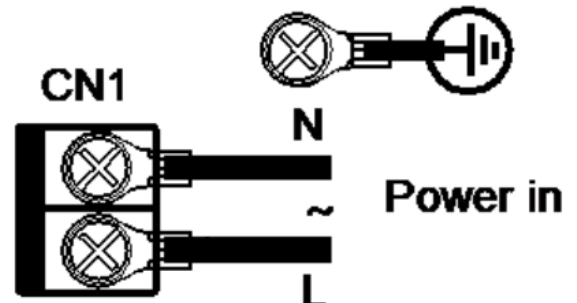
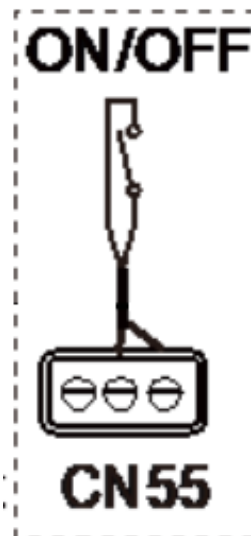
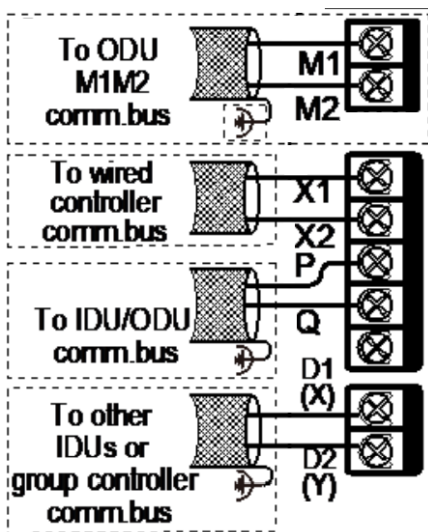
Product certified by:



FEATURES

Model	KCIBF-90 DR5.0H
Nominal cooling capacity	8,00 kW
Nominal heating capacity	9,00 kW
Consumption	41 W
Power supply	220-240/1/50
MCA: Minimum circuit amperes	1,05 A
MFA: Max. fuse amperes	15 A
Air flow rate	783/874/965/1057/1148/1239/1330 m3/h
Max. static pressure	50 Pa
Sound pressure	29/31/32/34/35/37/38 dB(A)
Liquid pipe diameter	9,52 mm
Gas pipe diameter	15,9 mm

CIRCUIT DIAGRAM

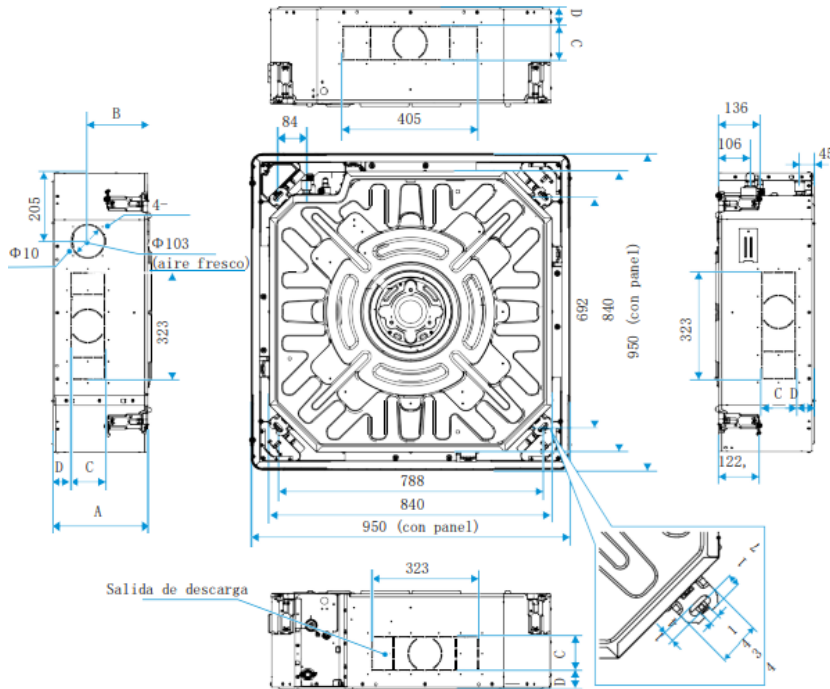


NOTES:

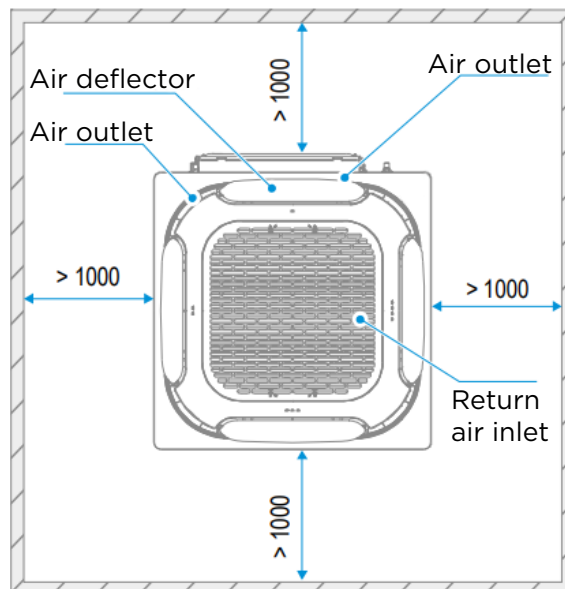
- The data and specifications in this sheet are subject to change without notice.
- The images in this sheet are for guidance only and may be different from the actual machine.
- Cooling capacity conditions: Indoor temperature 27°C DB/19°C WB; Outdoor temperature 35°C DB; Equivalent refrigerant piping length 7.5 m with zero level difference; Data calculated with Duct type indoor unit. Heating capacity conditions: Indoor temperature 20°C DB; Outdoor temperature 7°C DB/6°C WB; Equivalent refrigerant piping length 7.5 m with zero level difference; Data calculated with Duct type indoor unit.
- Sound pressure level is measured at a position 1 m in front of the unit and 1.3 m above the floor in a semi-anechoic chamber.

DIMENSIONS & WEIGHT

KCIBF-90 DR5.0H	
A	246 mm
B	163 mm
C	103 mm
D	41,5 mm
Inner unit weight	22 kg
Model Panel	KPA-01E1
Weight Panel	5,8 kg



INSTALLATION



Mini Amazon Hybrid Cassettes 840x840

PRODUCT SHEET



KI-07
Recommended control

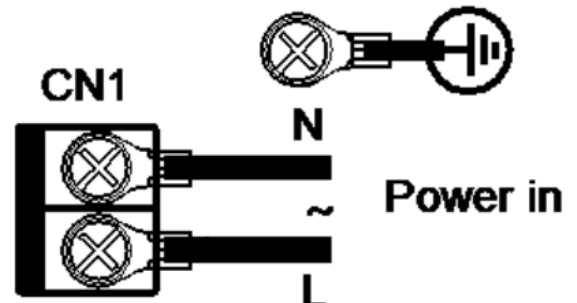
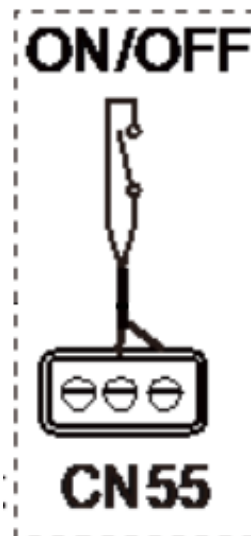
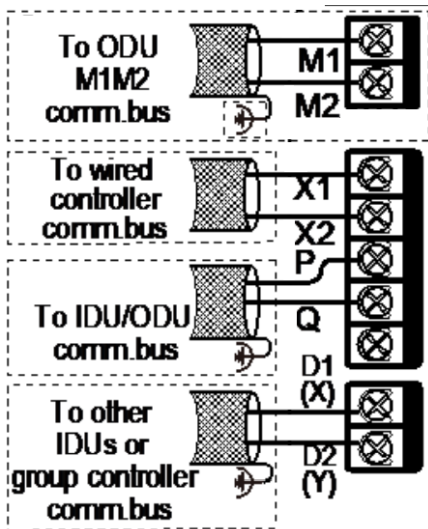
Product certified by:



FEATURES

Model	KCIBF-112 DR5.0H
Nominal cooling capacity	11,20 kW
Nominal heating capacity	12,50 kW
Consumption	61 W
Power supply	220-240/1/50
MCA: Minimum circuit amperes	1,18 A
MFA: Max. fuse amperes	15 A
Air flow rate	979/1083/1186/1290/1393/1497/1600 m3/h
Max. static pressure	50 Pa
Sound pressure	33/34/36/37/38/40/41 dB(A)
Liquid pipe diameter	9,52 mm
Gas pipe diameter	15,9 mm

CIRCUIT DIAGRAM

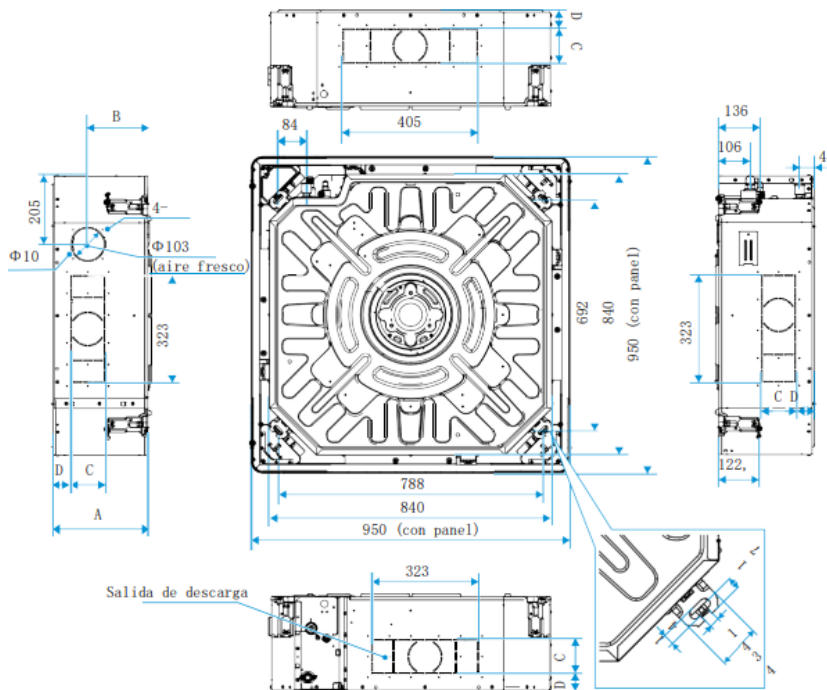


NOTES:

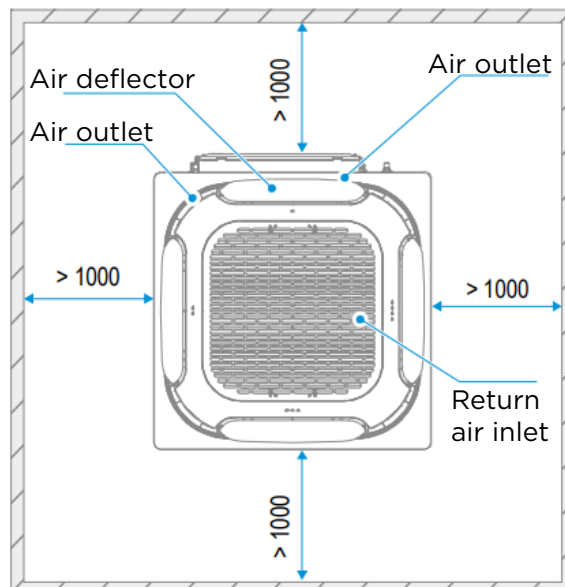
- (1) The data and specifications in this sheet are subject to change without notice.
- (2) The images in this sheet are for guidance only and may be different from the actual machine.
- (3) Cooling capacity conditions: Indoor temperature 27°C DB/19°C WB; Outdoor temperature 35°C DB; Equivalent refrigerant piping length 7.5 m with zero level difference; Data calculated with Duct type indoor unit. Heating capacity conditions: Indoor temperature 20°C DB; Outdoor temperature 7°C DB/6°C WB; Equivalent refrigerant piping length 7.5 m with zero level difference; Data calculated with Duct type indoor unit.
- (4) Sound pressure level is measured at a position 1 m in front of the unit and 1.3 m above the floor in a semi-anechoic chamber.

DIMENSIONS & WEIGHT

	KCIBF-112 DR5.0H
A	288 mm
B	190 mm
C	103 mm
D	56,5 mm
Inner unit weight	24 kg
Model Panel	KPA-01E1
Weight Panel	5,8 kg



INSTALLATION



Mini Amazon Hybrid Cassettes

840x840

PRODUCT SHEET



KI-07
Recommended control

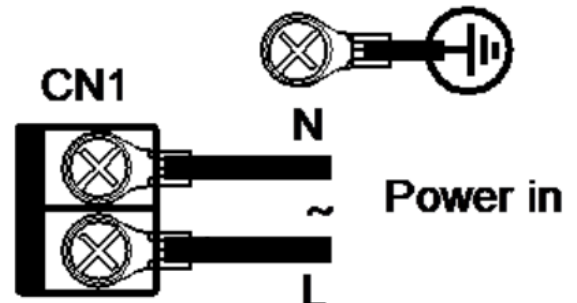
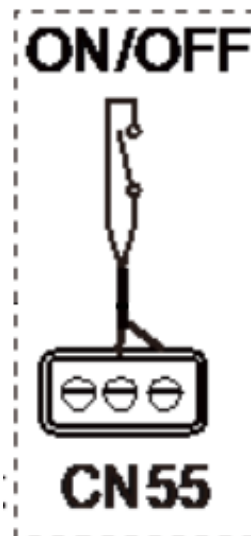
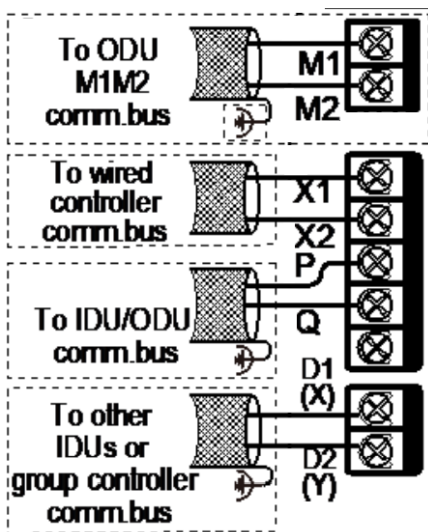
Product certified by:



FEATURES

Model	KCIBF-140 DR5.0H
Nominal cooling capacity	14,00 kW
Nominal heating capacity	16,00 kW
Consumption	89 W
Power supply	220-240/1/50
MCA: Minimum circuit amperes	1,41 A
MFA: Max. fuse amperes	15 A
Air flow rate	1094/1200/1306/1412/1518/1624/1730 m3/h
Max. static pressure	50 Pa
Sound pressure	34/36/37/39/40/42/43 dB(A)
Liquid pipe diameter	9,52 mm
Gas pipe diameter	15,9 mm

CIRCUIT DIAGRAM

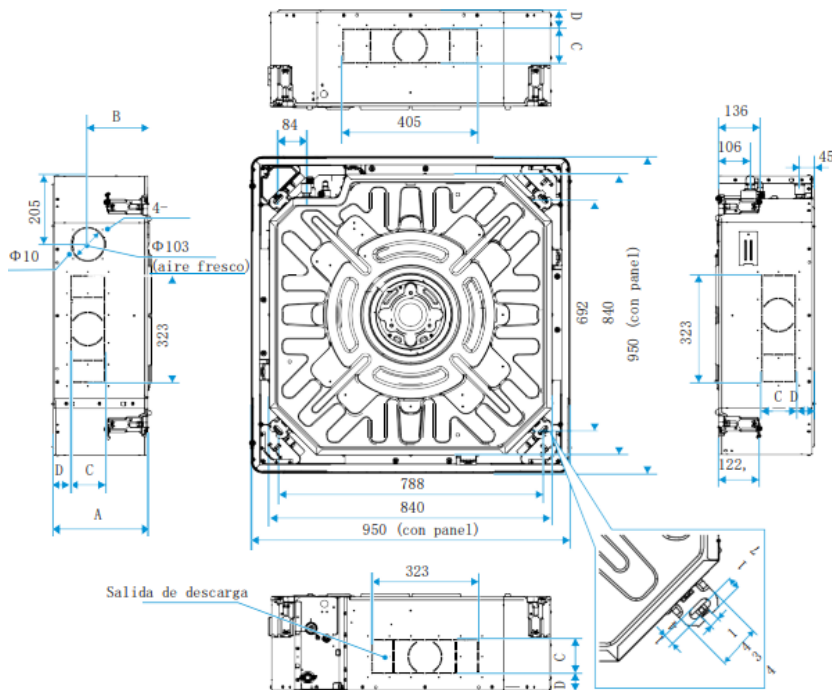


NOTES:

- (1) The data and specifications in this sheet are subject to change without notice.
- (2) The images in this sheet are for guidance only and may be different from the actual machine.
- (3) Cooling capacity conditions: Indoor temperature 27°C DB/19°C WB; Outdoor temperature 35°C DB; Equivalent refrigerant piping length 7.5 m with zero level difference; Data calculated with Duct type indoor unit. Heating capacity conditions: Indoor temperature 20°C DB; Outdoor temperature 7°C DB/6°C WB; Equivalent refrigerant piping length 7.5 m with zero level difference; Data calculated with Duct type indoor unit.
- (4) Sound pressure level is measured at a position 1 m in front of the unit and 1.3 m above the floor in a semi-anechoic chamber.

DIMENSIONS & WEIGHT

	KCIBF-140 DR5.0H
A	288 mm
B	190 mm
C	103 mm
D	56,5 mm
Inner unit weight	24 kg
Model Panel	KPA-01E1
Weight Panel	5,8 kg



INSTALLATION

