

PRODUCT SHEET

Floor/Ceiling S8


 KI-05
Recommended control

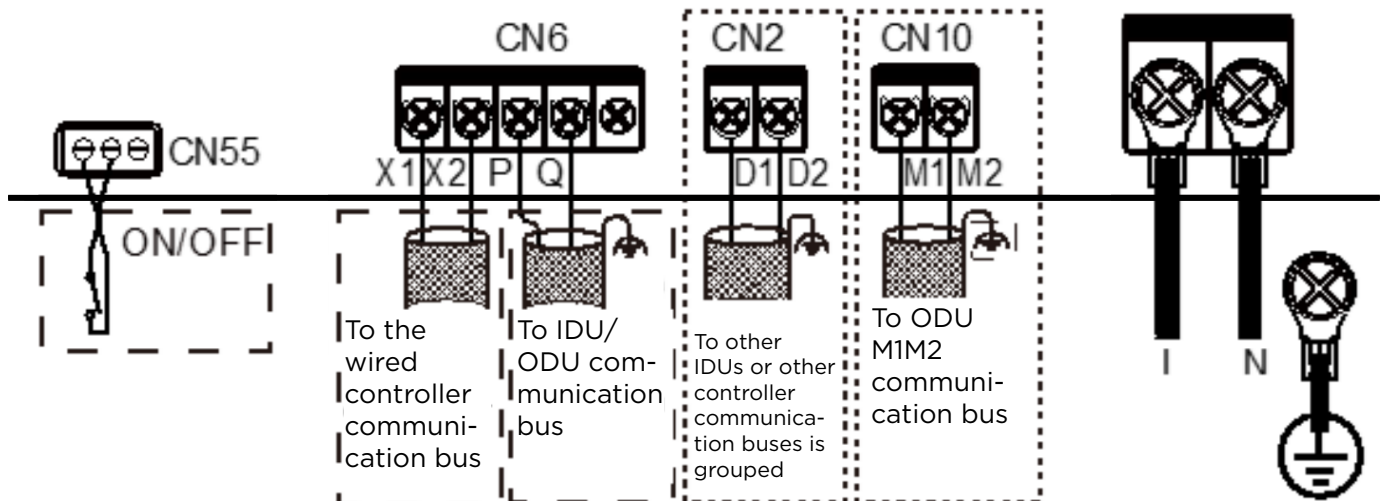
Product certified by:



FEATURES

Model	KPCF-56 DN5.0	KPCF-90 DN5.0	KPCF-140 DN5.0
Nominal cooling capacity	5,60 kW	9 kW	14 kW
Nominal heating capacity	6,30 kW	10 kW	16 kW
Consumption	40 W	75 W	140 W
Power supply	220-240/1/50		
Max. intensity	15 A		
Air flow rate	665/707/751/794/840/883/927 m ³ /h	979/1056/1138/1218/1302/1397/1480 m ³ /h	1402/1516/1677/1810/1937/2070/2206 m ³ /h
Sound pressure	33/34/36/38/40/41/43 dB(A)	37/40/42/44/46/47/48 dB(A)	40/42/44/46/48/50/51,5 dB(A)
Liquid pipe diameter	Ø1/4" / Ø1/2"	Ø3/8" / Ø5/8"	Ø3/8" / Ø5/8"
Drain diameter	Ø18.5	Ø18.5	Ø18.5

CIRCUIT DIAGRAM

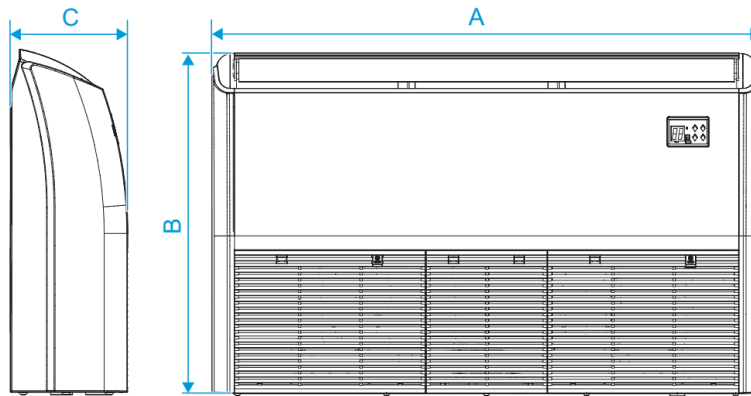


NOTES:

- (1) The data and specifications in this sheet are subject to change without notice.
- (2) The images in this sheet are for guidance only and may be different from the actual machine.
- (3) Cooling capacity conditions: Indoor temperature 27°C DB/19°C WB; Outdoor temperature 35°C DB; Equivalent refrigerant piping length 7.5 m with zero level difference; Data calculated with Duct type indoor unit. Heating capacity conditions: Indoor temperature 20°C DB; Outdoor temperature 7°C DB/6°C WB; Equivalent refrigerant piping length 7.5 m with zero level difference; Data calculated with Duct type indoor unit.
- (4) Sound pressure level is measured at a position 1 m in front of the unit and 1.3 m above the floor in a semi-anechoic chamber.

DIMENSIONS & WEIGHT

	KPCF-56 DN5.0	KPCF-90 DN5.0	KPCF-140 DN5.0
A	1069 mm	1284 mm	1649 mm
B	674 mm	674 mm	674 mm
C	234 mm	234 mm	234 mm
Inner unit weight	24,70 kg	29,80 kg	36,40 kg



INSTALLATION

