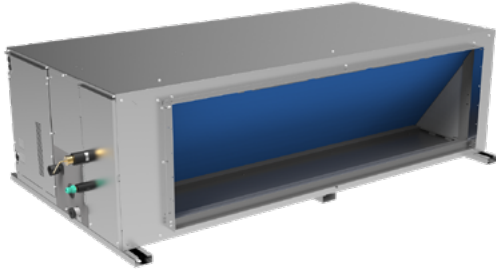


High Pressure Vertical Air Discharge


KPDFUF-280V DN6

PRODUCT SHEET



KCT-03 SR
Recommended controller



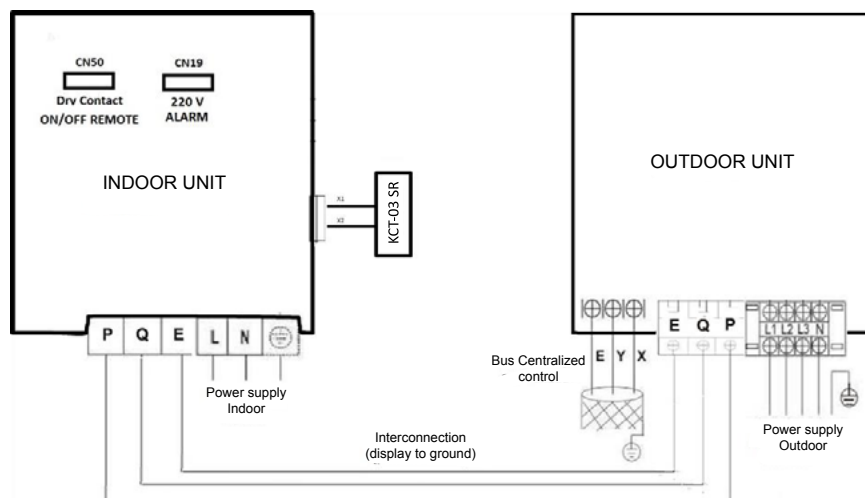
Product certified by: 



FEATURES

Model	KPDFUF-280V DN6
Cooling capacity	28 kW
Cooling power input	10.680 W
Heating capacity	28 kW
Heating power input	8.830 W
Airflow (indoor)	2.820/3.133/3.447/3.760/4.073/4.387/4.700 m ³ /h
Sound pressure (indoor)	42/43/44/46/48/50/51 dB(A)
Airflow (outdoor)	12.600 m ³ /h
Sound pressure (outdoor)	58 dB(A)
Power supply (indoor)	220-240 V / 1 / 50 Hz
Power supply (outdoor)	380-415 V / 3 / 50 Hz
Power wiring (indoor)	(2+T)x4 mm ²
Power wiring (outdoor)	(4+T)x6 mm ²
Max. input	15 A
Com. bus shielded	3x0,75 mm ²

WIRING DIAGRAM



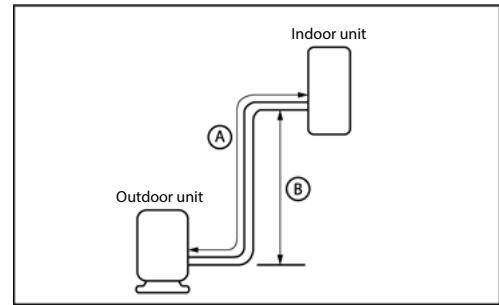
NOTES:

- (1) The data and specifications present in this sheet may vary without notice.
 (2) The images on this sheet are indicative and may be different from the final machine.

COOLING CONNECTION

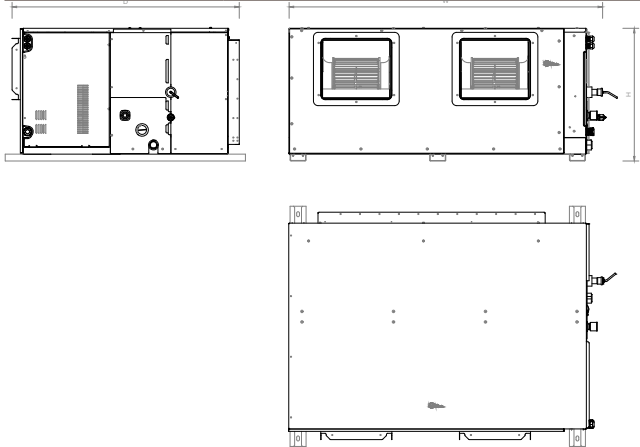
Model	
Refrigerating pipes	Ø1/2" / Ø7/8"
Refrigerant charge	7 kg
Indoor drain pipe	Ø32
Max. pipe length (A)	175 m
Max. level difference (B)	90 m

KPDUF-280V DN6



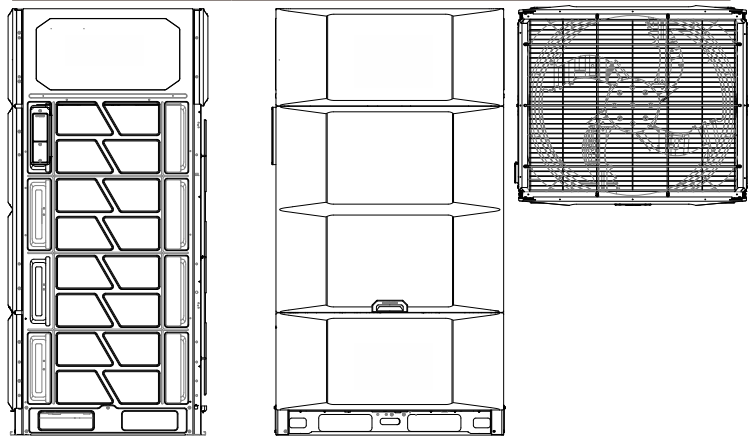
DIMENSIONS & WEIGHT INDOOR

Model	KPDUF-280 DN5.0
Width	1.300 mm
Height	580 mm
Depth	900 mm
Weight	125 kg

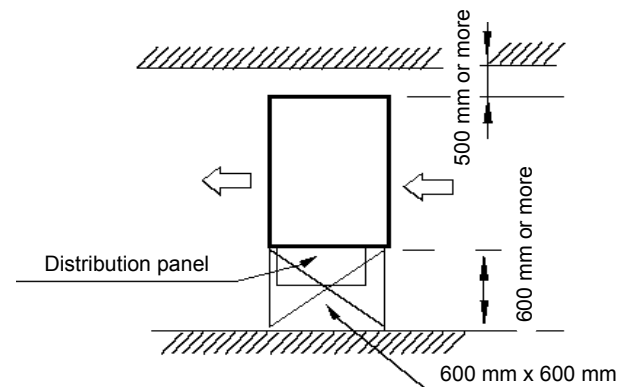
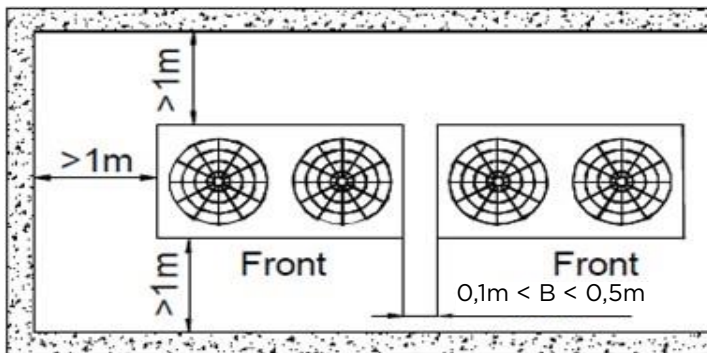


DIMENSIONS & WEIGHT OUTDOOR

Model	K2UF-280 DN6
Width	940 mm
Height	1.760 mm
Depth	825 mm
Weight	193 kg



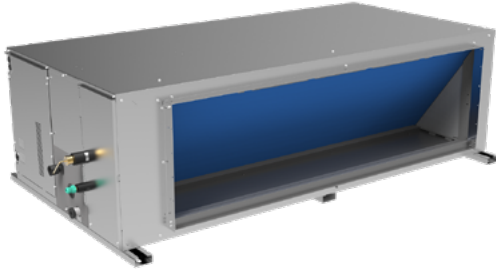
INSTALLATION



High Pressure Top Air Discharge


KPDUF-450V DN6

PRODUCT SHEET



KCT-03 SR
Recommended controller



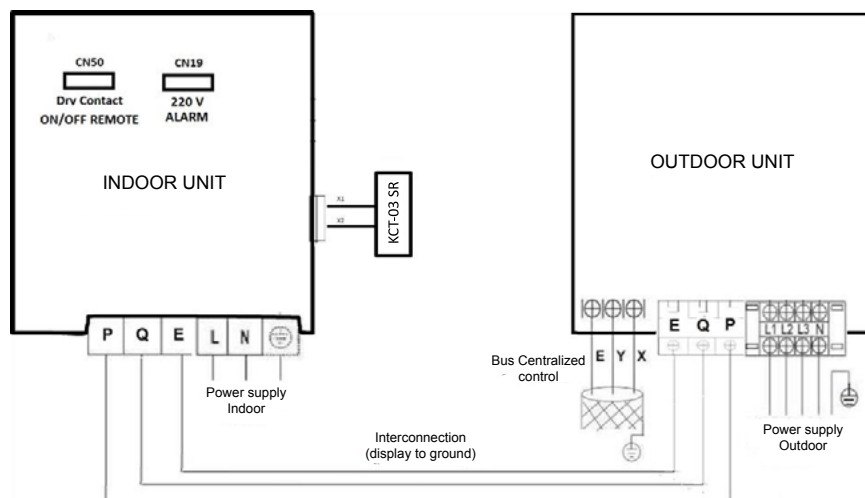
Product certified by: 



FEATURES

Model	KPDUF-450V DN6
Cooling capacity	45 kW
Cooling power input	20.960 W
Heating capacity	50 kW
Heating power input	16.580 kW
Airflow (indoor)	4.500/5.000/5.500/6.000/6.500/7.000/7.500 m ³ /h
Sound pressure (indoor)	48/49/50/52/54/56/58 dB(A)
Airflow (outdoor)	13.000 m ³ /h
Sound pressure (outdoor)	65 dB(A)
Power supply (indoor)	220-240 V / 1 / 50 Hz
Power supply (outdoor)	380-415 V / 3 / 50 Hz
Power wiring (indoor)	(2+T)x4 mm ²
Power wiring (outdoor)	(4+T)x10 mm ²
Max. input	21 A
Com. bus shielded	3x0,75 mm ²

WIRING DIAGRAM



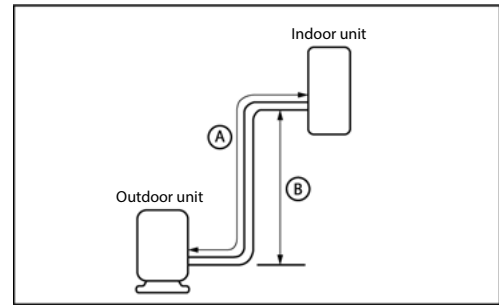
NOTES:

- (1) The data and specifications present in this sheet may vary without notice.
 (2) The images on this sheet are indicative and may be different from the final machine.

COOLING CONNECTION

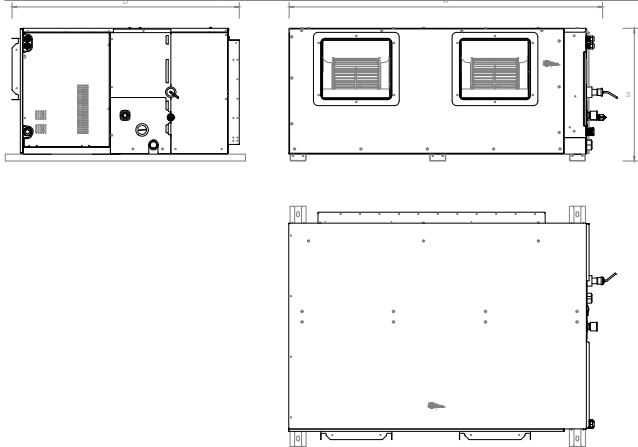
Model	
Refrigerating pipes	Ø1/2" / Ø1 1/8"
Refrigerant charge	13 kg
Indoor drain pipe	Ø32
Max. pipe length (A)	175 m
Max. level difference (B)	90 m

KPDUF-450V DN6



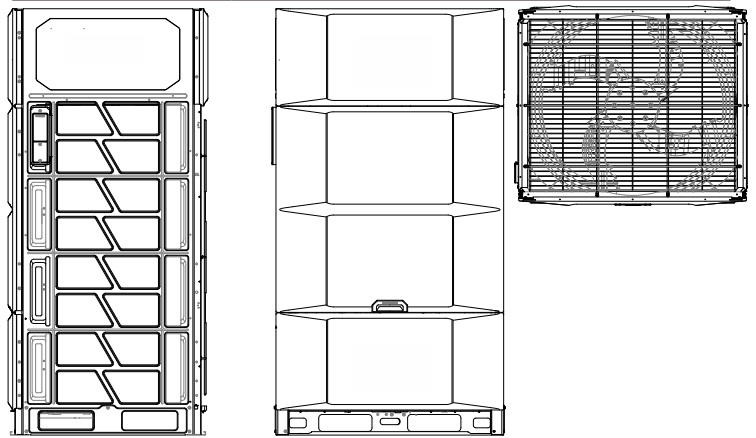
DIMENSIONS & WEIGHT INDOOR

Model	KPDUF-450 DN5.0
Width	2.010 mm
Height	680 mm
Depth	905 mm
Weight	210 kg

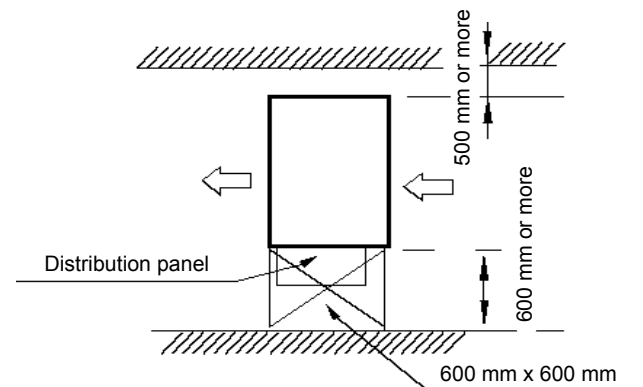
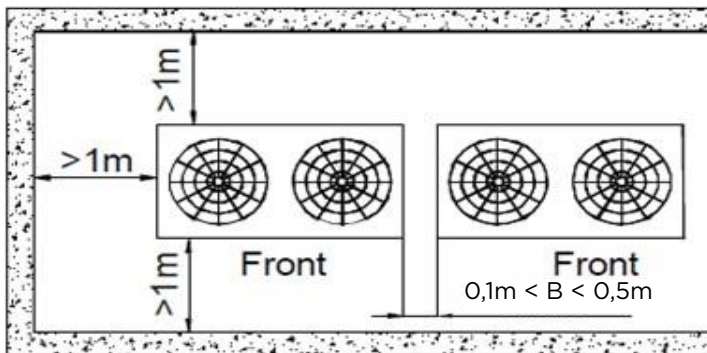


DIMENSIONS & WEIGHT OUTDOOR

Model	K2UF-450 DN6
Width	1.340 mm
Height	1.635 mm
Depth	850 mm
Weight	277 kg



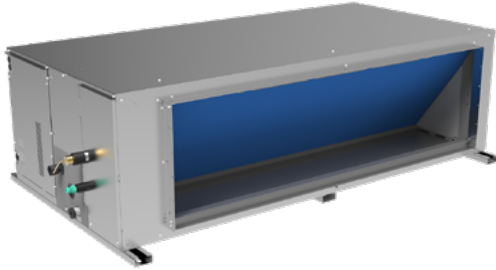
INSTALLATION



High Pressure Top Air Discharge


KPDUF-560V DN6

PRODUCT SHEET



KCT-03 SR
Recommended controller



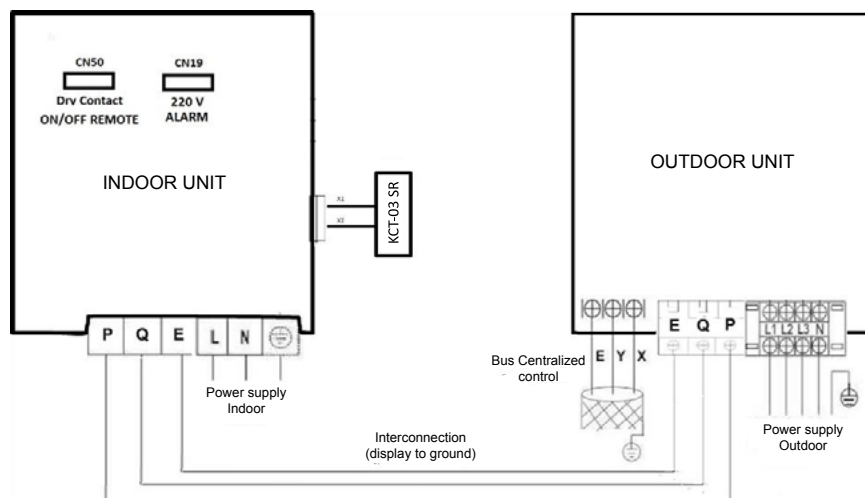
Product certified by: 



FEATURES

Model	KPDUF-560V DN6
Cooling capacity	56 kW
Cooling power input	34.220 W
Heating capacity	56 kW
Heating power input	19.210 kW
Airflow (indoor)	5.040/5.600/6.160/6.720/7.280/7.840/8.400 m ³ /h
Sound pressure (indoor)	49/51/53/54/56/58/59 dB(A)
Airflow (outdoor)	22.000 m ³ /h
Sound pressure (outdoor)	66 dB(A)
Power supply (indoor)	220-240 V / 1 / 50 Hz
Power supply (outdoor)	380-415 V / 3 / 50 Hz
Power wiring (indoor)	(2+T)x4 mm ²
Power wiring (outdoor)	(4+T)x16 mm ²
Max. input	21 A
Com. bus shielded	3x0,75 mm ²

WIRING DIAGRAM



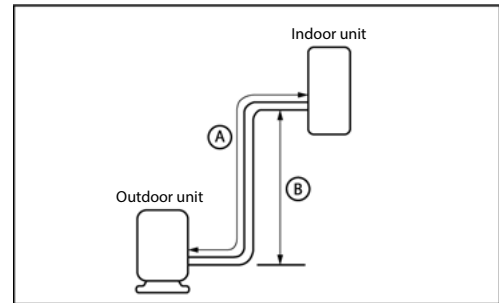
NOTES:

- (1) The data and specifications present in this sheet may vary without notice.
 (2) The images on this sheet are indicative and may be different from the final machine.

COOLING CONNECTION

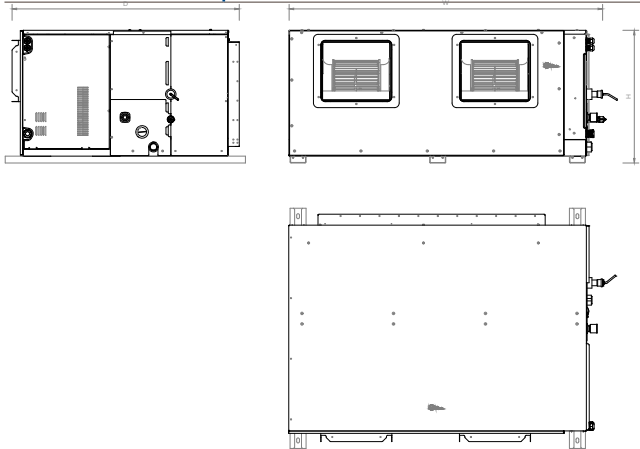
Model	
Refrigerating pipes	Ø5/8" / Ø1 1/8"
Refrigerant charge	17 kg
Indoor drain pipe	Ø32
Max. pipe length (A)	175 m
Max. level difference (B)	90 m

KPDUF-560V DN6



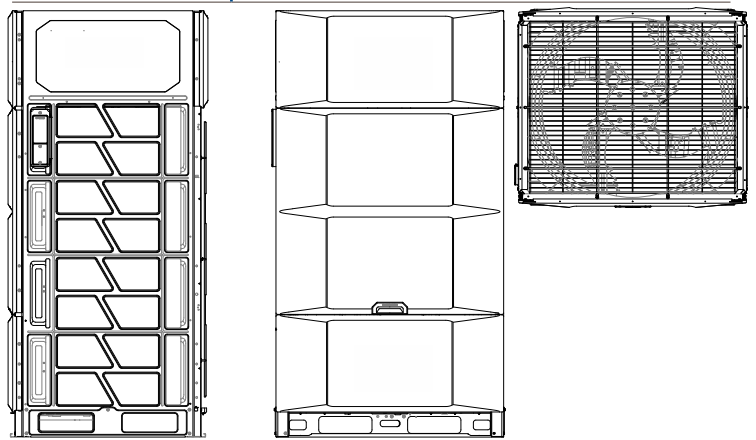
DIMENSIONS & WEIGHT INDOOR

Model	KPDUF-560 DN5.0
Width	2.010 mm
Height	680 mm
Depth	905 mm
Weight	218 kg



DIMENSIONS & WEIGHT OUTDOOR

Model	K2UF-560 DN6
Width	1.340 mm
Height	1.635 mm
Depth	825 mm
Weight	348 kg



INSTALLATION

