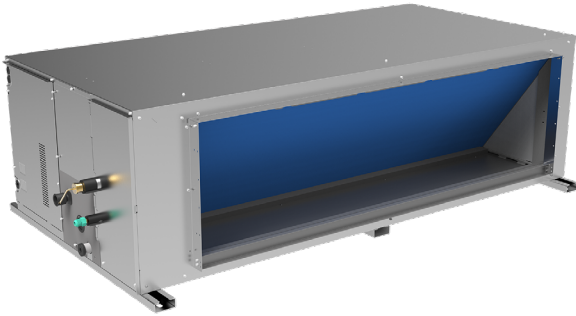


High Pressure Front Air Discharge


KPDUF-400F DN6

PRODUCT SHEET



KCT-04 SR
Standard controller



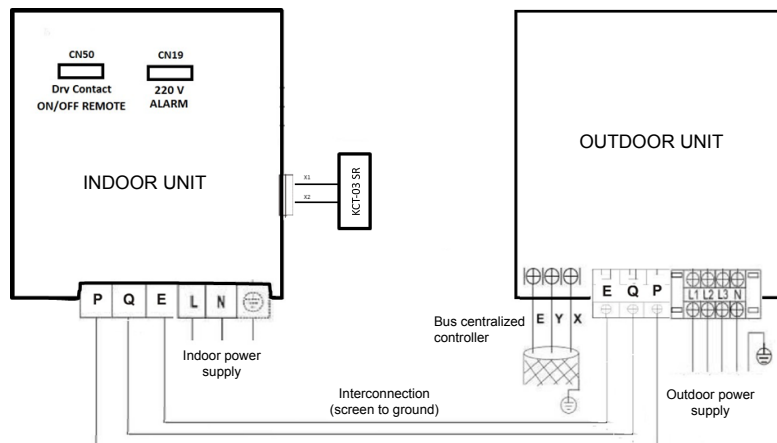
Product certified by: 



FEATURES

Model	KPDUF-400F DN6
Cooling capacity	40 kW
Cooling power input	17.285 W
Heating capacity	40 kW
Heating power input	13.285 W
Airflow (indoor)	4.500/5.500/6.000/6.500/7.000/7.500 m ³ /h
Max. static pressure	48/49/50/52/54/56/58 dB(A)
Sound pressure (indoor)	400 Pa
Airflow (outdoor)	12.500 m ³ /h
Sound pressure (outdoor)	60 dB(A)
Power supply (indoor)	220-240 V / 1 / 50 Hz
Power supply (outdoor)	380-415 V / 3 / 50 Hz
Power wiring (indoor)	(2+T)x4 mm ²
Power wiring (outdoor)	(4+T)x6 mm ²
Max. input	18 A
Com. bus shielded	3x0,75 mm ²

WIRING DIAGRAM



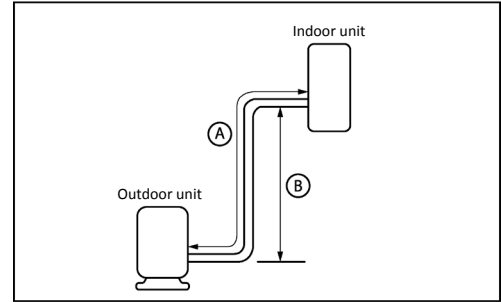
NOTES:

- (1) The data and specifications present in this sheet may vary without notice.
 (2) The images on this sheet are indicative and may be different from the final machine.

COOLING CONNECTION

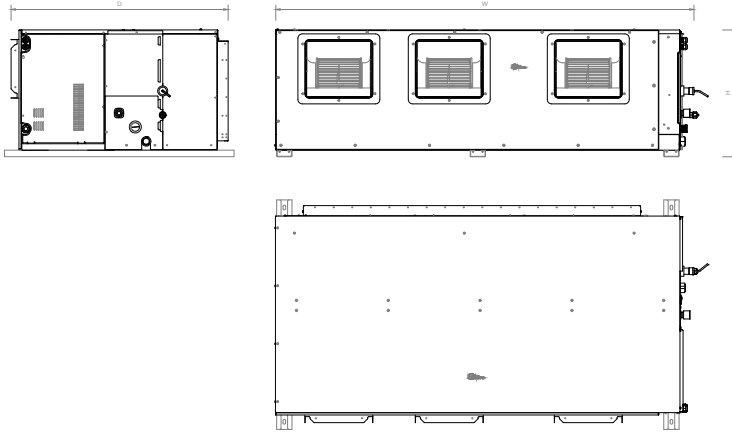
Model	
Refrigerating pipes	Ø1/2" / Ø1"
Refrigerant charge	7,40 kg
Indoor drain pipe	Ø32
Max. pipe length (A)	50 m
Max. level difference (B)	25 m

KPDUF-400F DN6



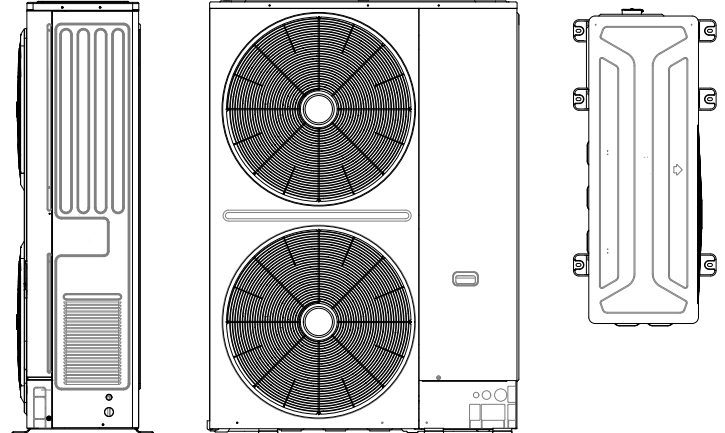
DIMENSIONS & WEIGHT INDOOR

Model	KPDUF-400 DN5.0
Width	1.850 mm
Height	580 mm
Depth	900 mm
Weight	166 kg

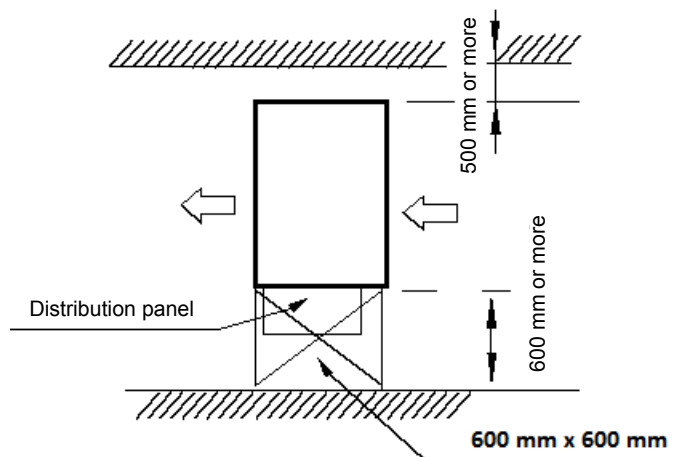
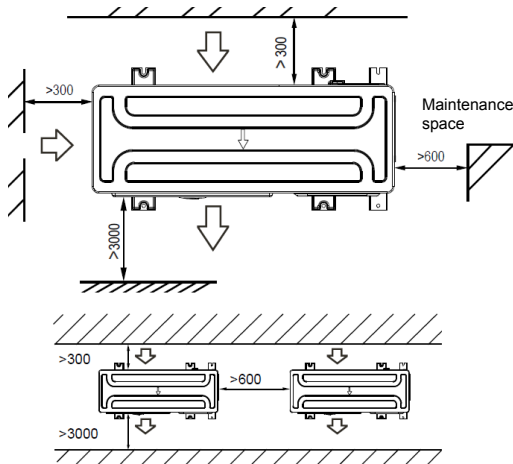


DIMENSIONS & WEIGHT OUTDOOR

Model	KMF-400 DN6
Width	1.130 mm
Height	1.760 mm
Depth	580 mm
Weight	187 kg



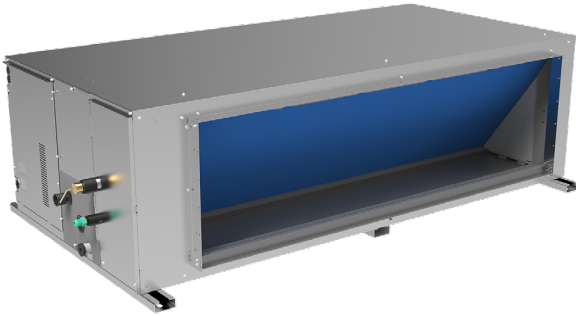
INSTALLATION



High Pressure Front Air Discharge


KPDHF-450F DN6

PRODUCT SHEET



KCT-04 SR
Standard controller



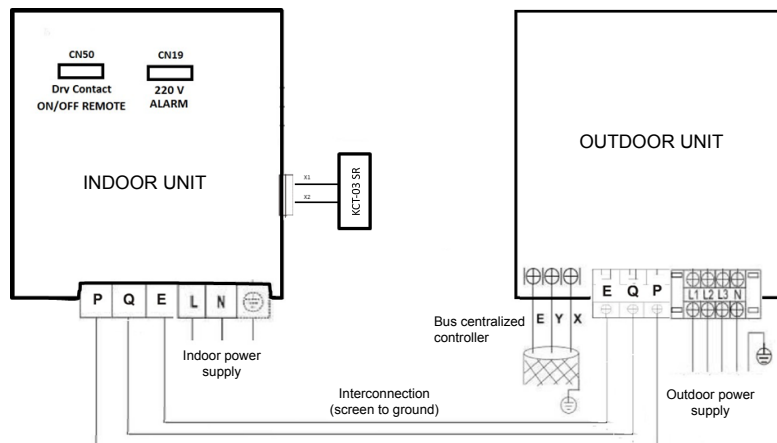
Product certified by: 



FEATURES

Model	KPDHF-450F DN6
Cooling capacity	45 kW
Cooling power input	17.585 W
Heating capacity	45 kW
Heating power input	12.785 W
Airflow (indoor)	4.500/5.500/6.000/6.500/7.000/7.500 m ³ /h
Max. static pressure	48/49/50/52/54/56/58 dB(A)
Sound pressure (indoor)	400 Pa
Airflow (outdoor)	18.500 m ³ /h
Sound pressure (outdoor)	60 dB(A)
Power supply (indoor)	220-240 V / 1 / 50 Hz
Power supply (outdoor)	380-415 V / 3 / 50 Hz
Power wiring (indoor)	(2+T)x4 mm ²
Power wiring (outdoor)	(4+T)x6 mm ²
Max. input	23 A
Com. bus shielded	3x0,75 mm ²

WIRING DIAGRAM



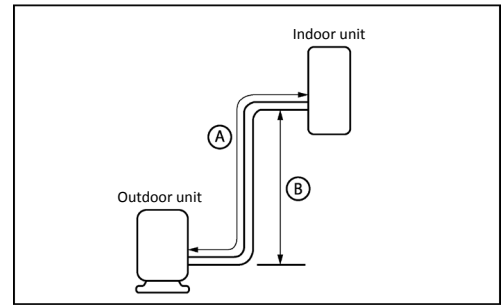
NOTES:

- (1) The data and specifications present in this sheet may vary without notice.
 (2) The images on this sheet are indicative and may be different from the final machine.

COOLING CONNECTION

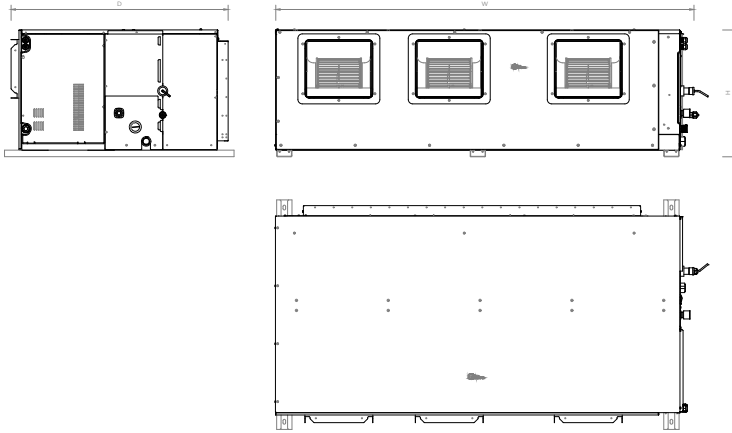
Model	
Refrigerating pipes	Ø1/2" / Ø1"
Refrigerant charge	8 kg
Indoor drain pipe	Ø32
Max. pipe length (A)	50 m
Max. level difference (B)	25 m

KPDHF-450F DN6



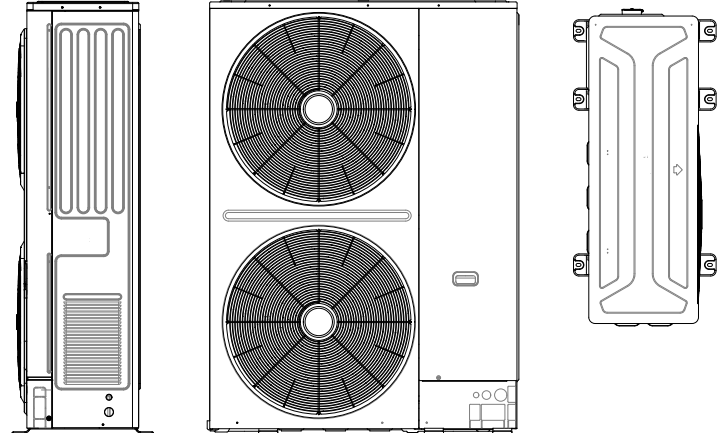
DIMENSIONS & WEIGHT INDOOR

Model	KPDUF-450 DN5.0
Width	1.850 mm
Height	580 mm
Depth	900 mm
Weight	166 kg

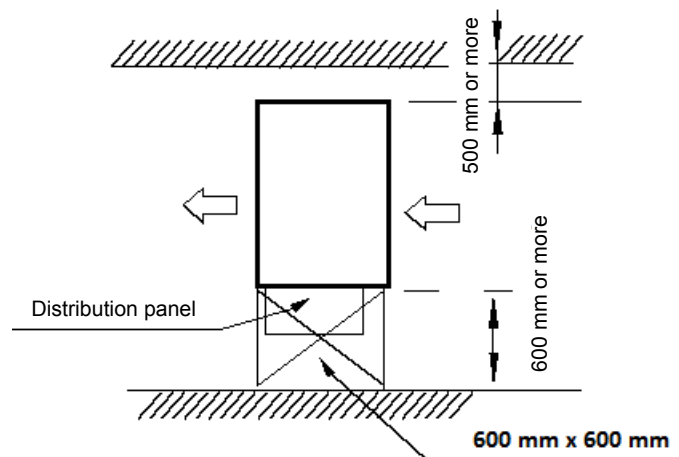
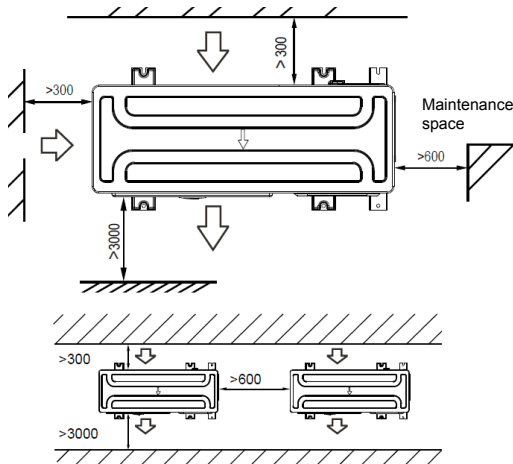


DIMENSIONS & WEIGHT OUTDOOR

Model	KMF-450 DN6
Width	1.250 mm
Height	1.760 mm
Depth	580 mm
Weight	214 kg



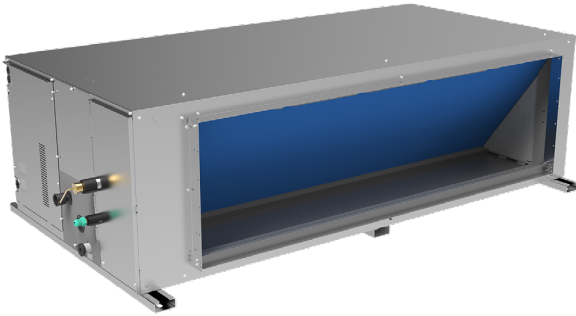
INSTALLATION



High Pressure Front Air Discharge


KPDHF-560F DN6

PRODUCT SHEET



KCT-04 SR
Standard controller



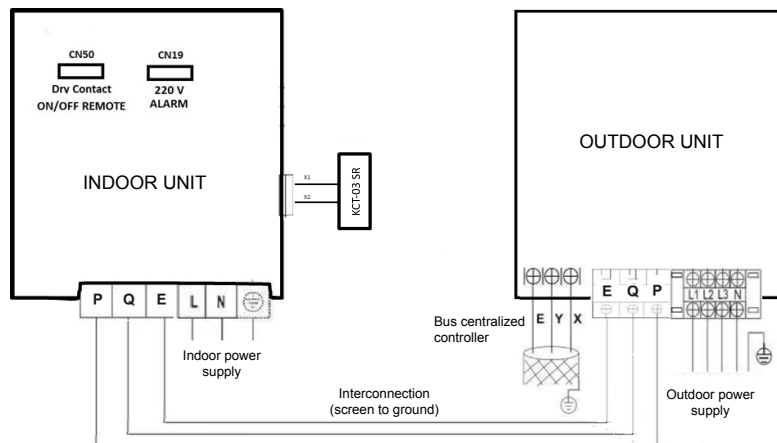
Product certified by: 



FEATURES

Model	KPDHF-560F DN6
Cooling capacity	56 kW
Cooling power input	27.444 W
Heating capacity	63 kW
Heating power input	20.044 W
Airflow (indoor)	5.040/6.160/6.720/7.280/7.840/8.400 m ³ /h
Max. static pressure	49/51/53/54/56/58/59 dB(A)
Sound pressure (indoor)	400 Pa
Airflow (outdoor)	18.500 m ³ /h
Sound pressure (outdoor)	61 dB(A)
Power supply (indoor)	220-240 V / 1 / 50 Hz
Power supply (outdoor)	380-415 V / 3 / 50 Hz
Power wiring (indoor)	(2+T)x4 mm ²
Power wiring (outdoor)	(4+T)x6 mm ²
Max. input	23 A
Com. bus shielded	3x0,75 mm ²

WIRING DIAGRAM



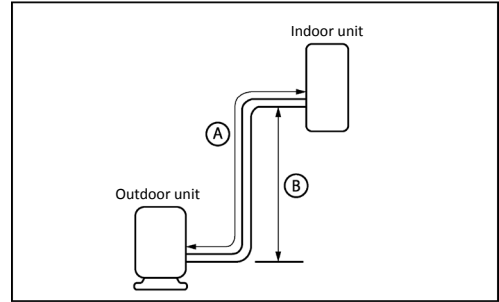
NOTES:

- (1) The data and specifications present in this sheet may vary without notice.
 (2) The images on this sheet are indicative and may be different from the final machine.

COOLING CONNECTION

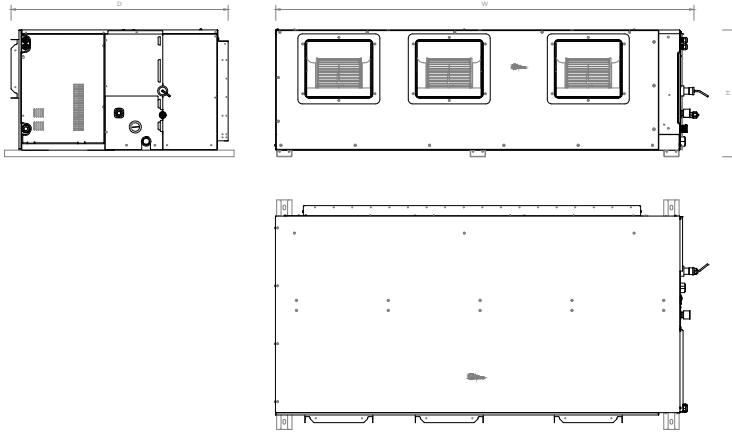
Model	
Refrigerating pipes	Ø1/2" / Ø1"
Refrigerant charge	8.50 kg
Indoor drain pipe	Ø32
Max. pipe length (A)	50 m
Max. level difference (B)	25 m

KPDHF-560F DN6



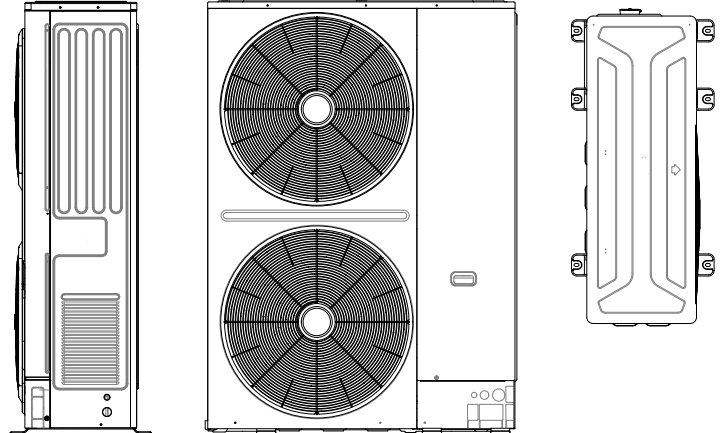
DIMENSIONS & WEIGHT INDOOR

Model	KPDUF-560 DN5.0
Width	1.850 mm
Height	580 mm
Depth	90 mm
Weight	170 kg



DIMENSIONS & WEIGHT OUTDOOR

Model	KMF-560 DN6
Width	1.250 mm
Height	1.760 mm
Depth	580 mm
Weight	234 kg



INSTALLATION

