



Kaysun  
by Frigicoll

ES

FR

ENGLISH

LANGUAGES

# Aquantia KHPS-MO PRO

## Monobloc Set

### PRODUCT SHEET



Standard controller

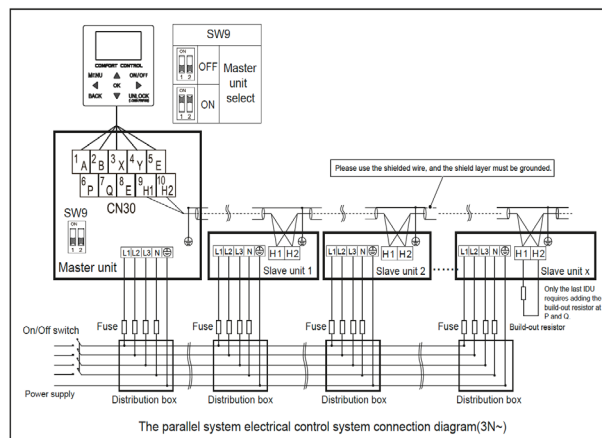
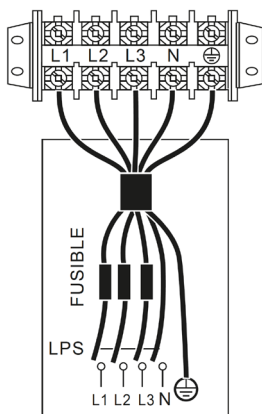
Product certified by:



## FEATURES

Model	Set	KHPS-MO 12 DTR PRO
	<b>Outdoor unit</b>	<b>KHP-MO 12 DTR3</b>
Outdoor unit	Net / Gross weight	160,0 kg / 188,0 kg
	Connections diameter	R5/4"
	Drain connection	DN32 mm
	Expansion vessel included	8,0 L
	Max. pump available pressure	8,5 m
	Rated water flow	2,08 m <sup>3</sup> /h
	Water flow range	0,7 ~ 2,5 m <sup>3</sup> /h
	Power supply	380-415 V / 3 / 50 Hz
	Max. intensity	27,0 A
	Recommended fuse	D32 A
	Backup electrical resistance	9,0 / 6,0 / 3,0 kW (regulable)
DHW tank (not included)	Minimum DHW coil area	Stainless 1,6 m <sup>2</sup> Enamelled steel 2,5 m <sup>2</sup>
	Recommended tank capacity	200 L ~ 500 L
	Recommended model	<b>BSX270 / BSX475</b>
	Max. tank installation distance from the outdoor unit	5 m
Water outlet temperature	Heating & DHW	+25 ~ +65 °C
	Cooling	+5 ~ +25 °C
Operating range	Heating	-25 ~ +35 °C
	DHW	-25 ~ +43 °C
	Cooling	-5 ~ +43 °C

## ELECTRICAL CONNECTION

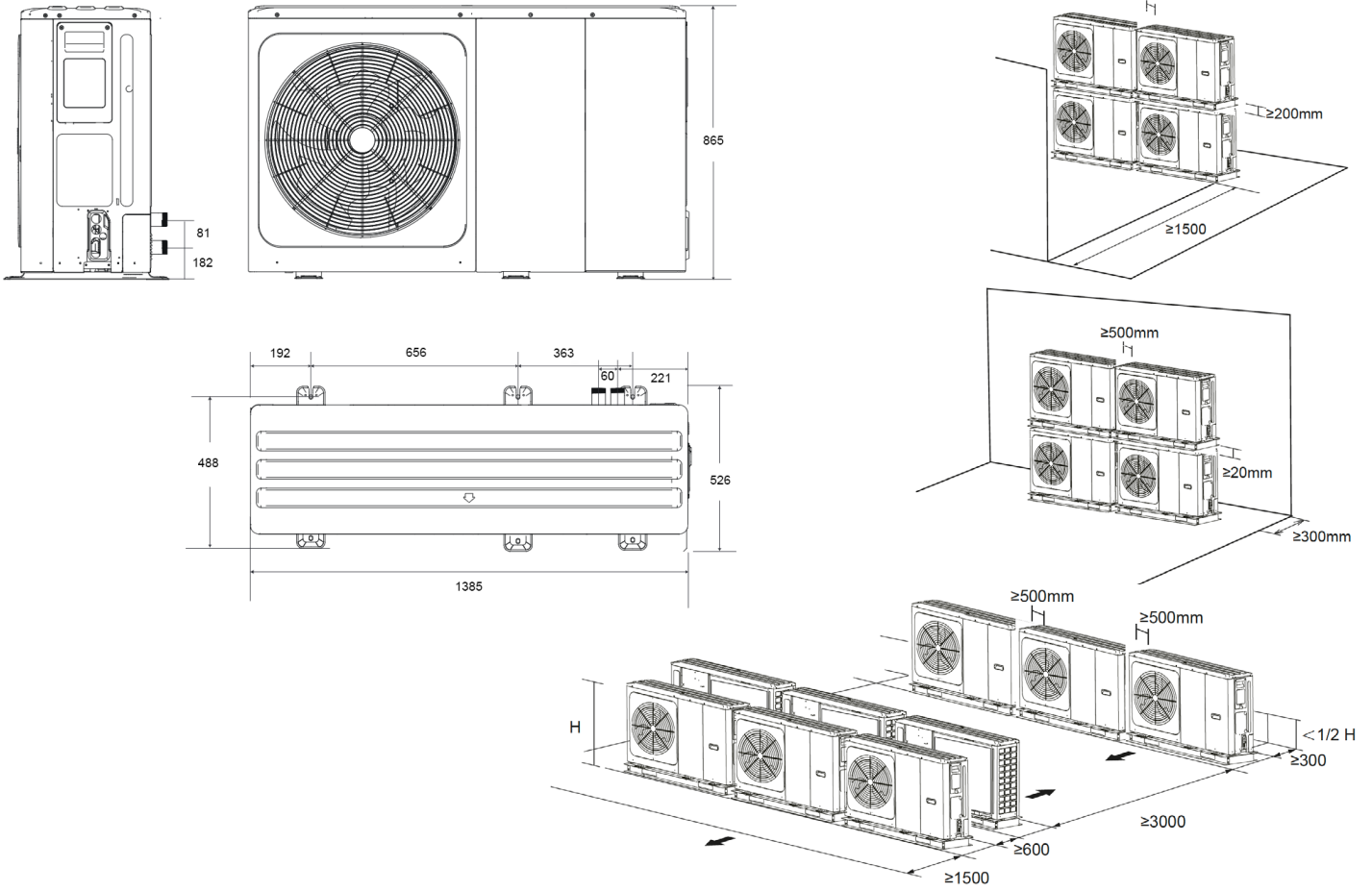


NOTES:  
 (1) The data and specifications present in this sheet may vary without notice.  
 (2) The images on this sheet are indicative and may be different from the final machine.

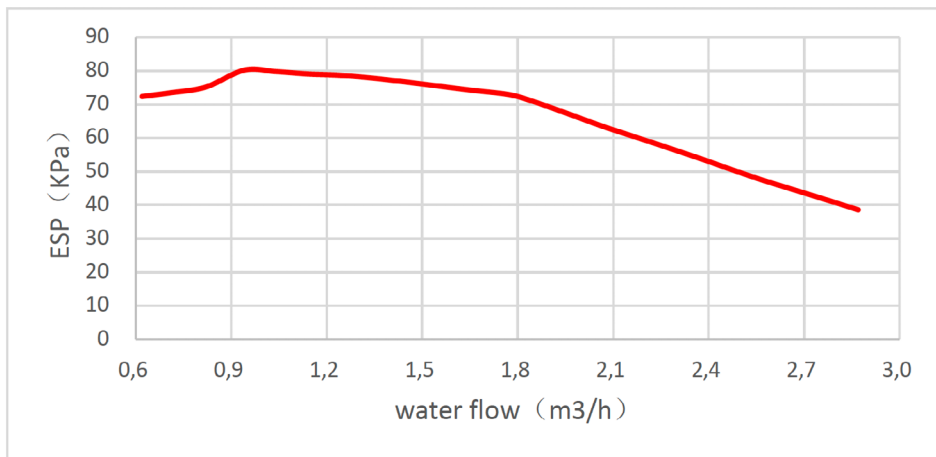
Edition 2024/04



## DIMENSIONS & INSTALLATION DISTANCES



## PUMP CURVE



Abbreviations:  
ESP: External static pressure

## PERFORMANCES

	Heating				Cooling	
	A+7°C Capacity kW / W+35°C COP	A+7°C Capacity kW / W+55°C COP	A-7°C Capacity kW / W+35°C COP	A-7°C Capacity kW / W+55°C COP	A+35°C Capacity kW / W+18°C EER	A+35°C Capacity kW / W+7°C EER
<b>KHPS-MO 12 DTR PRO</b>	12,10 / 4,95	11,90 / 3,05	10,00 / 3,00	9,80 / 2,05	12,00 / 3,95	11,50 / 2,75

## SOUND PRESSURE

	Sound pressure Outdoor unit dB(A)
<b>KHPS-MO 12 DTR PRO</b>	53,5 (380V)



Kaysun  
by Frigicoll

ES

FR

ENGLISH

LANGUAGES

# Aquantia KHPS-MO PRO

## Monobloc Set

### PRODUCT SHEET



Standard controller

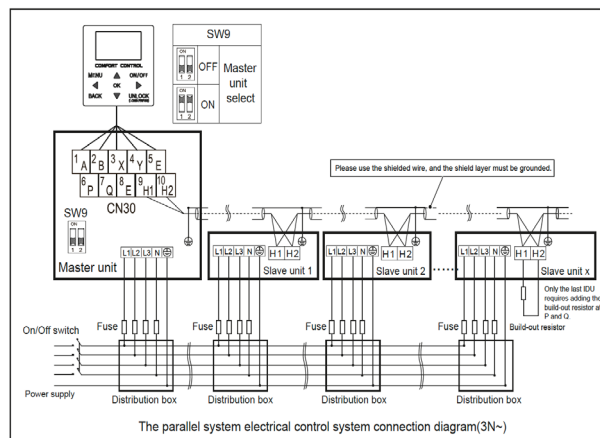
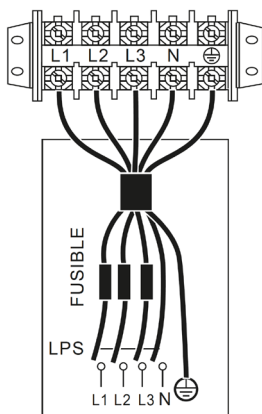
Product certified by:



## FEATURES

Model	Set	KHPS-MO 14 DTR PRO
	<b>Outdoor unit</b>	<b>KHP-MO 14 DTR3</b>
Outdoor unit	Net / Gross weight	160,0 kg / 188,0 kg
	Connections diameter	R5/4"
	Drain connection	DN32 mm
	Expansion vessel included	8,0 L
	Max. pump available pressure	8,5 m
	Rated water flow	2,49 m <sup>3</sup> /h
	Water flow range	0,7 ~ 2,75 m <sup>3</sup> /h
	Power supply	380-415 V / 3 / 50 Hz
	Max. intensity	27,0 A
	Recommended fuse	D32 A
	Backup electrical resistance	9,0 / 6,0 / 3,0 kW (regulable)
DHW tank (not included)	Minimum DHW coil area	Stainless 1,6 m <sup>2</sup> Enamelled steel 2,5 m <sup>2</sup>
	Recommended tank capacity	200 L ~ 500 L
	Recommended model	<b>BSX270 / BSX475</b>
	Max. tank installation distance from the outdoor unit	5 m
Water outlet temperature	Heating & DHW	+25 ~ +65 °C
	Cooling	+5 ~ +25 °C
Operating range	Heating	-25 ~ +35 °C
	DHW	-25 ~ +43 °C
	Cooling	-5 ~ +43 °C

## ELECTRICAL CONNECTION

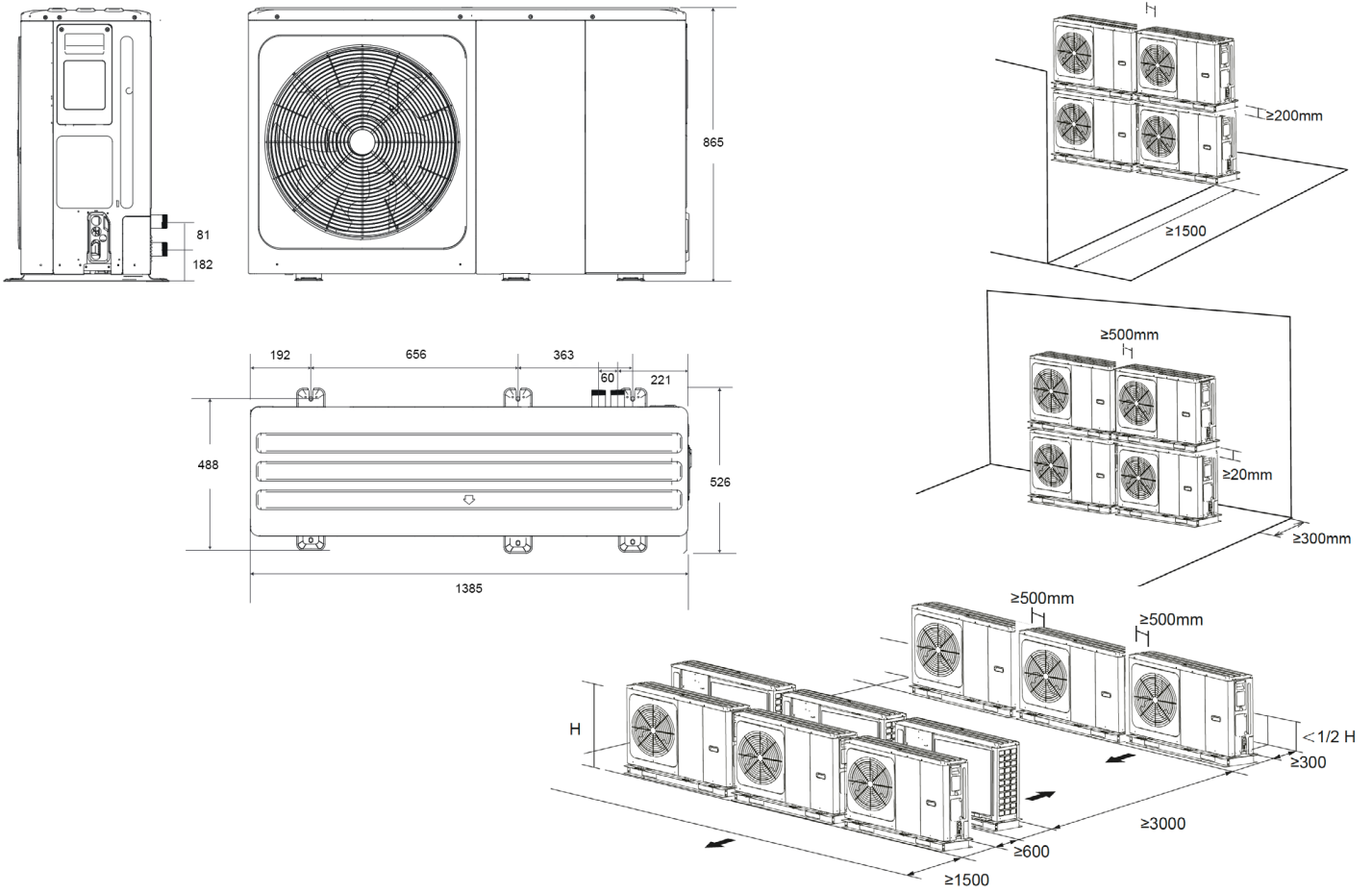


NOTES:  
 (1) The data and specifications present in this sheet may vary without notice.  
 (2) The images on this sheet are indicative and may be different from the final machine.

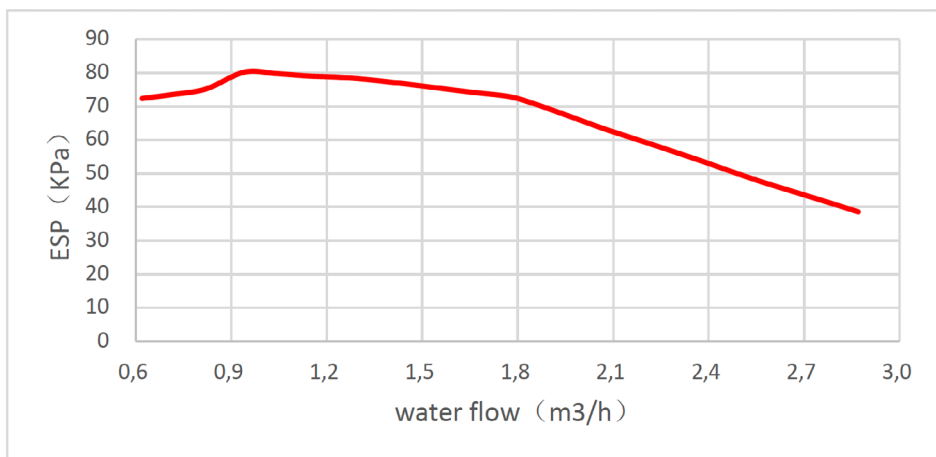
Edition 2024/04



## DIMENSIONS & INSTALLATION DISTANCES



## PUMP CURVE



Abbreviations:  
ESP: External static pressure

## PERFORMANCES

	Heating				Cooling	
	A+7°C Capacity kW / W+35°C COP	A+7°C Capacity kW / W+55°C COP	A-7°C Capacity kW / W+35°C COP	A-7°C Capacity kW / W+55°C COP	A+35°C Capacity kW / W+18°C EER	A+35°C Capacity kW / W+7°C EER
<b>KHPS-MO 14 DTR PRO</b>	14,50 / 4,60	13,80 / 2,95	12,00 / 2,85	11,00 / 2,05	13,50 / 3,60	12,40 / 2,50

## SOUND PRESSURE

	Sound pressure Outdoor unit dB(A)
<b>KHPS-MO 14 DTR PRO</b>	54,0 (230V)



Kaysun  
by Frigicoll

ES

FR

ENGLISH

LANGUAGES

# Aquantia KHPS-MO PRO

## Monobloc Set

### PRODUCT SHEET



Standard controller

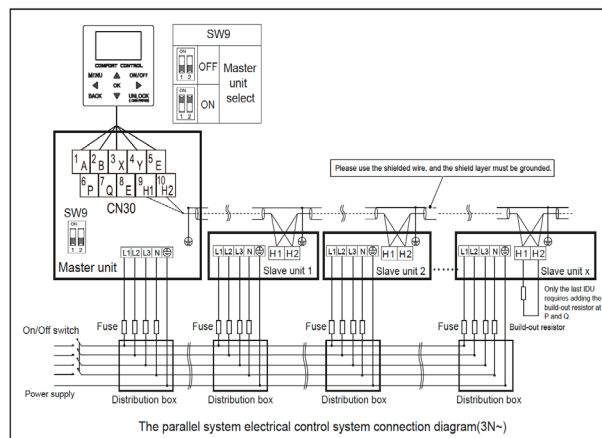
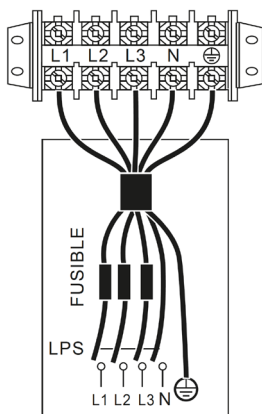
Product certified by:



## FEATURES

Model	Set	KHPS-MO 16 DTR PRO	
	<b>Outdoor unit</b>	<b>KHP-MO 16 DTR3</b>	
Outdoor unit	Net / Gross weight	160,0 kg / 188,0 kg	
	Connections diameter	R5/4"	
	Drain connection	DN32 mm	
	Expansion vessel included	8,0 L	
	Max. pump available pressure	8,5 m	
	Rated water flow	2,73 m <sup>3</sup> /h	
	Water flow range	0,7 ~ 3,0 m <sup>3</sup> /h	
	Power supply	380-415 V / 3 / 50 Hz	
	Max. intensity	27,0 A	
	Recommended fuse	D32 A	
	Backup electrical resistance	9,0 / 6,0 / 3,0 kW (regulable)	
DHW tank (not included)	Minimum DHW coil area	Stainless	1,6 m <sup>2</sup>
		Enamelled steel	2,5 m <sup>2</sup>
	Recommended tank capacity	200 L ~ 500 L	
	Recommended model	<b>BSX270 / BSX475</b>	
	Max. tank installation distance from the outdoor unit	5 m	
Water outlet temperature	Heating & DHW	+25 ~ +65 °C	
	Cooling	+5 ~ +25 °C	
Operating range	Heating	-25 ~ +35 °C	
	DHW	-25 ~ +43 °C	
	Cooling	-5 ~ +43 °C	

## ELECTRICAL CONNECTION

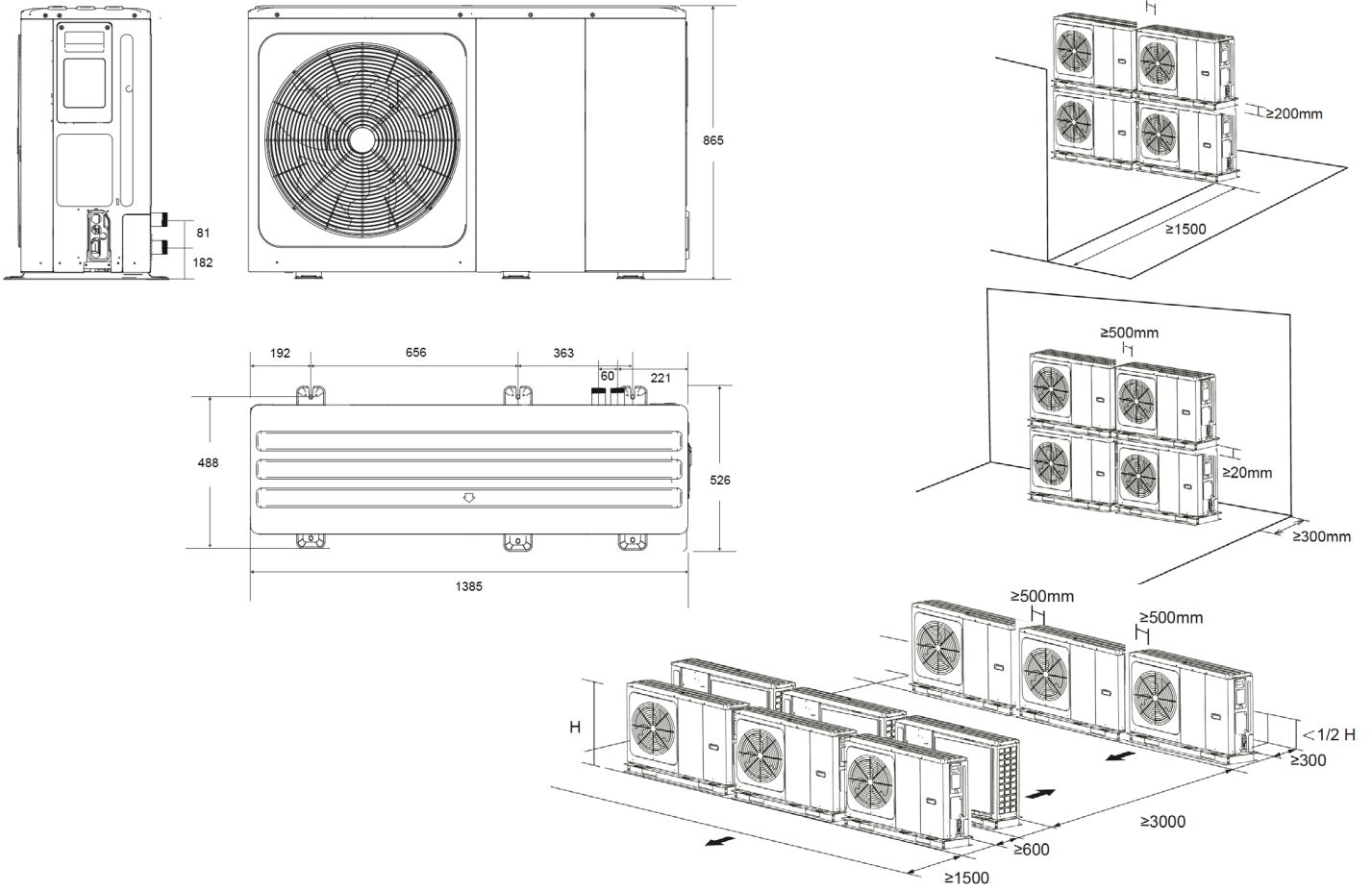


NOTES:  
 (1) The data and specifications present in this sheet may vary without notice.  
 (2) The images on this sheet are indicative and may be different from the final machine.

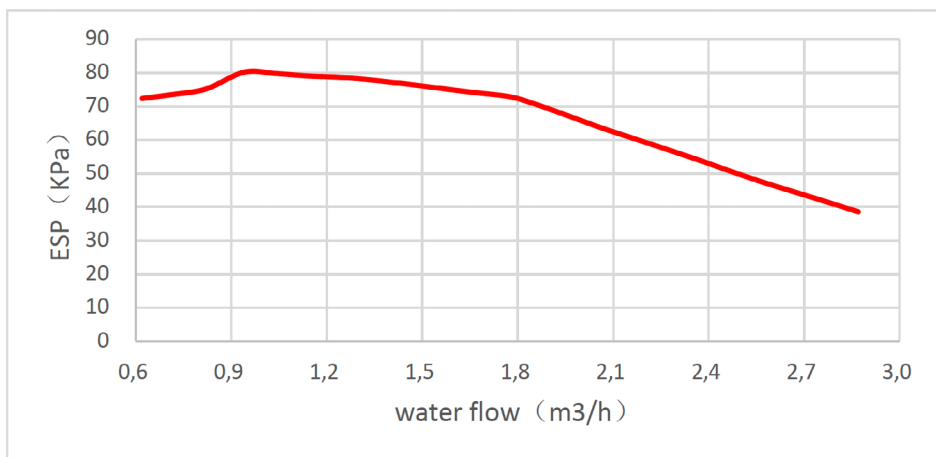
Edition 2024/04



## DIMENSIONS & INSTALLATION DISTANCES



## PUMP CURVE



Abbreviations:  
ESP: External static pressure



## PERFORMANCES

	Heating				Cooling	
	A+7°C Capacity kW / W+35°C COP	A+7°C Capacity kW / W+55°C COP	A-7°C Capacity kW / W+35°C COP	A-7°C Capacity kW / W+55°C COP	A+35°C Capacity kW / W+18°C EER	A+35°C Capacity kW / W+7°C EER
<b>KHPS-MO 16 DTR PRO</b>	15,90 / 4,50	16,00 / 2,85	13,10 / 2,70	12,50 / 2,00	14,90 / 3,40	14,00 / 2,50

## SOUND PRESSURE

	Sound pressure Outdoor unit dB(A)
<b>KHPS-MO 16 DTR PRO</b>	58,0 (230V)