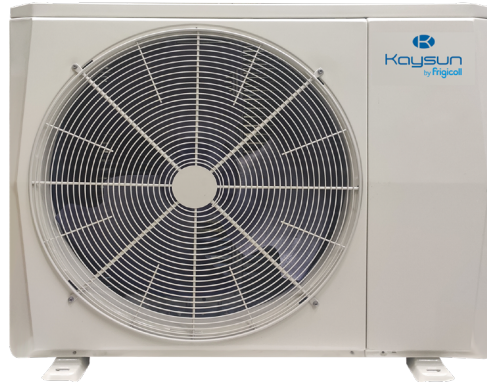


Mini Amazon Hybrid

PRODUCT SHEET



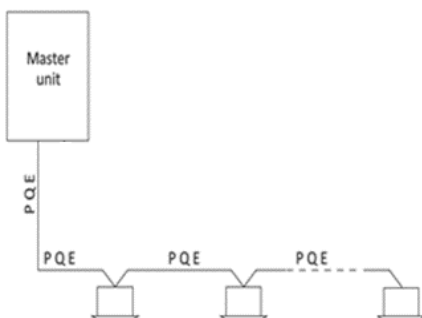
Product certified by:



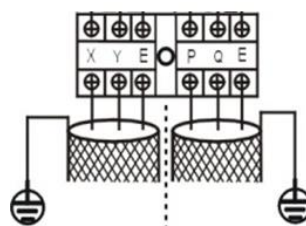
FEATURES

Model	KMF-80 DVR5	KMF-100 DVR5	KMF-120 DVR5
Nominal cooling capacity	7,2 kW	9,0 kW	12,3 kW
Nominal cooling consumption	2,23 kW	2,94 kW	3,84 kW
EER	3,23	3,06	3,2
SEER	5,7	5,7	7,5
$\eta_{s,c}$	225 %	225 %	297 %
Rated heating capacity	7,2 kW	9,0 kW	12,3 kW
Rated heat consumption	1,92 kW	2,37 kW	3,28 kW
COP	3,75	3,8	3,75
SCOP	4	3,95	4,4
$\eta_{s,h}$	225 %	225 %	297 %
Max. indoor units	4	6	7
Air flow rate	3750 m ³ /h	4000 m ³ /h	5000 m ³ /h
Sound pressure	54 dB(A)	55 dB(A)	57 dB(A)
Sound power level	66 dB(A)	68 dB(A)	71 dB(A)
Power supply	220-240/1/50		
MCA: Minimum circuit amps	21,3 A	29 A	35 A
MFA: Max. fuse amperes	25 A	32 A	40 A
Refrigerant type	R-32		
Factory charge	1,4 kg	1,8 kg	2,2 kg
Working range; outdoor temp. for cooling min/max.	-15 °C / 46 °C	-15 °C / 55 °C	-15 °C / 55 °C
Working range; Outdoor temperature for heating min/max.	-20 °C / 27 °C	-20 °C / 27 °C	-20 °C / 27 °C

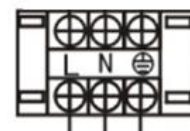
WIRING DIAGRAM



Communication terminal



Power supply terminal



NOTES:

(1) The data and specifications in this sheet are subject to change without notice.

(2) The images in this sheet are for guidance only and may be different from the actual machine.

(3) Cooling capacity conditions: Indoor temperature 27°C DB/19°C WB; Outdoor temperature 35°C DB; Equivalent refrigerant piping length 7.5 m with zero level difference; Data calculated with Cassette type indoor unit. Heating capacity conditions: Indoor temperature 20°C DB; Outdoor temperature 7°C DB/6°C WB; Equivalent refrigerant piping length 7.5 m with zero level difference; Data calculated with Cassette type indoor unit.

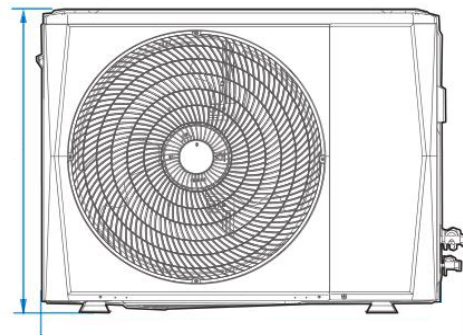
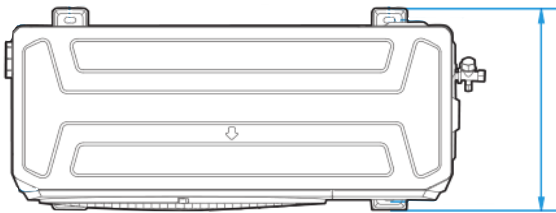
(4) Sound pressure level is measured at a position 1 m in front of the unit and 1 m above the floor in a semi-anechoic chamber.

PIPELINE LENGTH

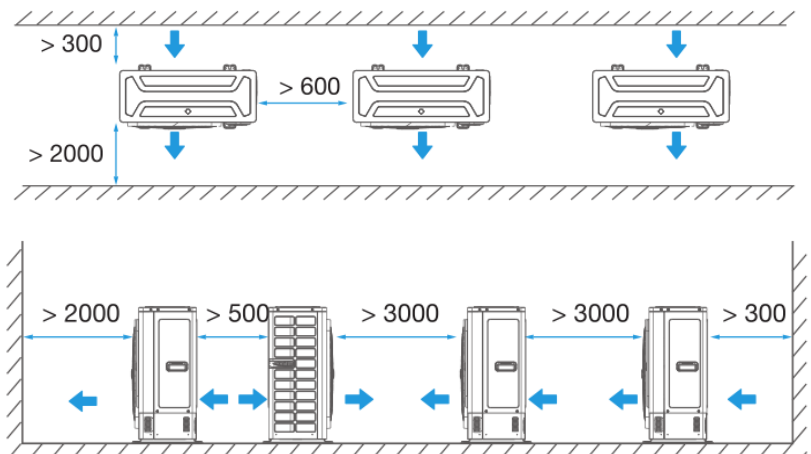
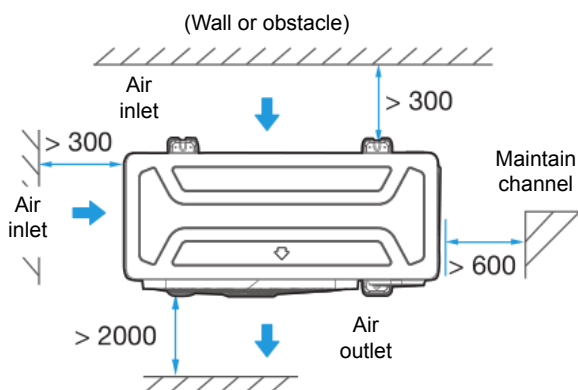
Model		KMF-80 DVR5	KMF-100 DVR5	KMF-120 DVR5
Max. pipe length		60 m	80 m	80 m
Max. distance between outdoor unit and further indoor unit	Real	35 m	35 m	35 m
	Equivalent	40 m	40 m	40 m
From first branch joint to the further indoor unit (query*)		20 m	20 m	20 m
Height difference	Outdoor unit over	10 m	20 m	20 m
	Outdoor unit below	10 m	10 m	10 m
Height difference between indoor units		10m	10m	10m

DIMENSIONS & WEIGHT

Model	KMF-80 DVR5	KMF-100 DVR5	KMF-120 DVR5
Width	910 mm	910 mm	950 mm
Height	712 mm	712 mm	840 mm
Depth	426 mm	426 mm	440 mm
Weight	49 kg	52,5 kg	62,5 kg

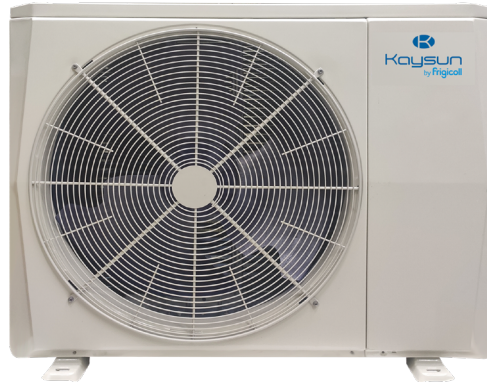


INSTALLATION



Mini Amazon Hybrid

PRODUCT SHEET



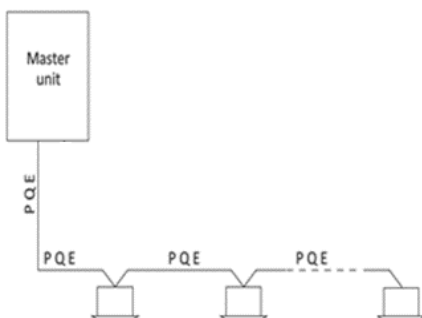
Product certified by:



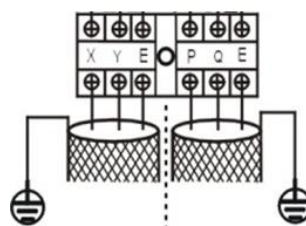
FEATURES

Model	KMF-140 DVR5	KMF-160 DVR5
Nominal cooling capacity	14 kW	15,5 kW
Nominal cooling consumption	4,33 kW	5,13 kW
EER	3,23	3,02
SEER	6,9	6,6
$\eta_{s,c}$	273 %	261 %
Rated heating capacity	14 kW	15,5 kW
Rated heat consumption	3,60 kW	4,08 kW
COP	3,89	3,8
SCOP	4,6	4,4
$\eta_{s,h}$	273 %	261 %
Max. indoor units	8	9
Air flow rate	5000 m ³ /h	5100 m ³ /h
Sound pressure	56 dB(A)	56 dB(A)
Sound power level	70 dB(A)	70 dB(A)
Power supply	220-240/1/50	
MCA: Minimum circuit amps	40 A	40 A
MFA: Max. fuse amperes	40 A	40 A
Refrigerant type	R-32	
Factory charge	2,4 kg	2,4 kg
Working range; outdoor temp. for cooling min/max.	-15 °C / 55 °C	-15 °C / 55 °C
Working range; Outdoor temperature for heating min/max.	-20 °C / 27 °C	-20 °C / 27 °C

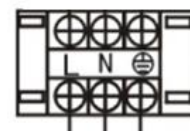
WIRING DIAGRAM



Communication terminal



Power supply terminal



NOTES:

(1) The data and specifications in this sheet are subject to change without notice.

(2) The images in this sheet are for guidance only and may be different from the actual machine.

(3) Cooling capacity conditions: Indoor temperature 27°C DB/19°C WB; Outdoor temperature 35°C DB; Equivalent refrigerant piping length 7.5 m with zero level difference; Data calculated with Cassette type indoor unit. Heating capacity conditions: Indoor temperature 20°C DB; Outdoor temperature 7°C DB/6°C WB; Equivalent refrigerant piping length 7.5 m with zero level difference; Data calculated with Cassette type indoor unit.

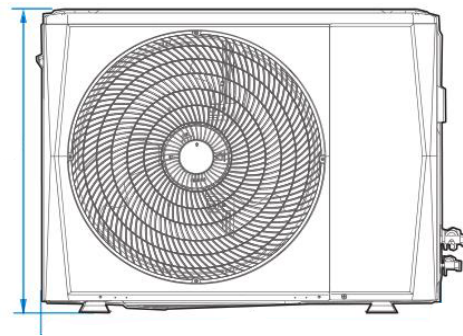
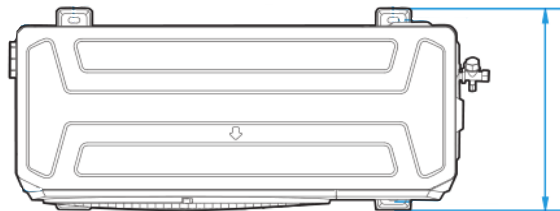
(4) Sound pressure level is measured at a position 1 m in front of the unit and 1 m above the floor in a semi-anechoic chamber.

PIPELINE LENGTH

Model		KMF-140 DVR5	KMF-160 DVR5
Max. pipe length		100 m	100 m
Max. distance between outdoor unit and further indoor unit	Real	45 m	45 m
	Equivalent	50 m	50 m
From first branch joint to the further indoor unit (query*)		20 m	20 m
Height difference	Outdoor unit over	30 m	30 m
	Outdoor unit below	20 m	20 m
Height difference between indoor units		10m	10m

DIMENSIONS & WEIGHT

Model	KMF-140 DVR5	KMF-160 DVR5
Width	950 mm	950 mm
Height	840 mm	840 mm
Depth	440 mm	440 mm
Weight	77,5 kg	77,5 kg



INSTALLATION

