

# Outdoor unit HR Multisystem

## PRODUCT SHEET



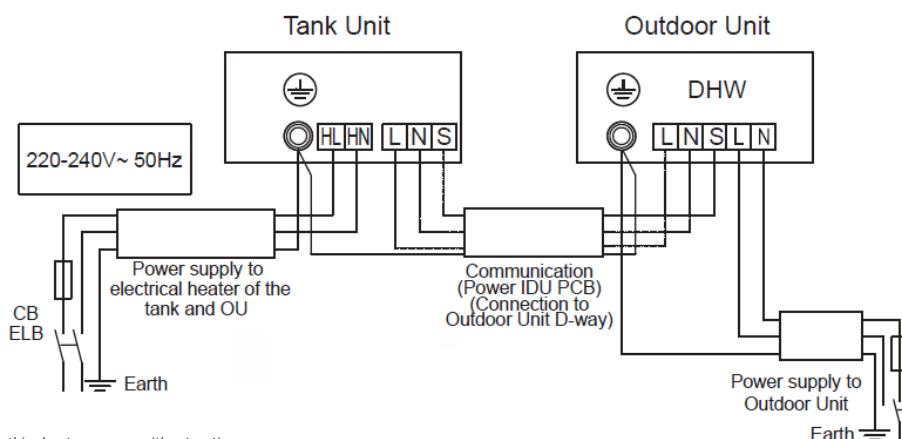
Product certified by:



### FEATURES

Model	KAM4HR-80 DR8
Rated cooling capacity	8,20 kW
Nominal heating capacity	8,79 kW
Nominal cooling consumption	2.261 W
Nominal heat consumption	2.160 W
SEER - Energy classification	7,20 - A++
SCOP warm zones	5,10
Power supply	220-240 V/1f/50Hz
Dimensions (W/H/D)	946mm / 810mm / 410mm
Net weight	64,3 kg
Sound pressure	61 dB(A)
Height difference between interiors	10 m
Meters preload	30 m
Factory load	1,8 kg
Max. total/vertical pipe length	80m / 15m
Refrigerant type	R-32
Communication wiring	(3+T)x2,5 mm <sup>2</sup>
Outdoor temperature for heating min/max.	-15 / 24 °C
Outdoor temp. for cooling min/max.	-15 / 50 °C

### WIRING DIAGRAM



## NOTES:

- (1) The data and specifications present in this sheet may vary without notice.
- (2) The images on this sheet are indicative and may be different from the final machine.

## DIMENSIONS & WEIGHT OUTDOOR

Model	KAM4HR-80 DR8
Width	946 mm
Height	810 mm
Depth	410 mm
Weight	64,30 kg