


Onnix 2.0

Multisystem

PRODUCT SHEET



KID-05.4 S
Standard controller

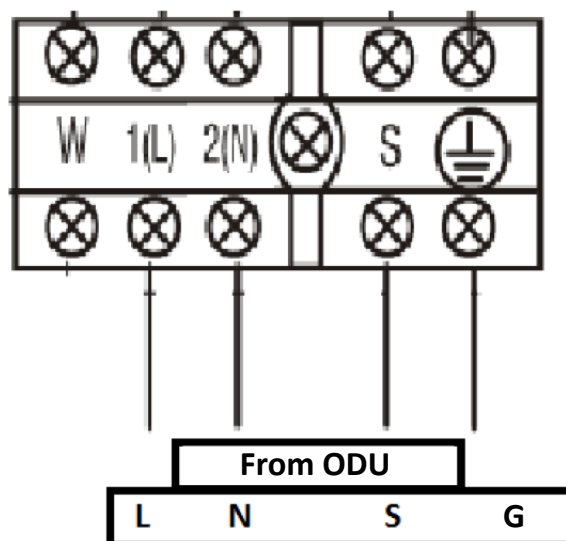
Product certified by: 



FEATURES

Model	KAY-D 26 DR11	KAY-D 35 DR11	KAY-D 52 DR11
Cooling capacity	2,64 kW	3,52 kW	5,28 kW
Heating capacity	2,93 kW	3,81 kW	5,57 kW
Airflow	700 / 515 / 425 m ³ /h	700 / 515 / 425 m ³ /h	750 / 530 / 430 m ³ /h
Sound pressure	40 / 32.5 / 21.5 dB(A)	40 / 32.5 / 21.5 dB(A)	41.5 / 36.5 / 33.5 / 19 dB(A)
Power supply	220-240 V / 1 / 50 Hz		
Communication wiring	(3+T) x 2,50 mm ²	(3+T) x 2,50 mm ²	(3+T) x 2,50 mm ²
Refrigerating pipes	Ø1/4" / Ø3/8"	Ø1/4" / Ø3/8"	Ø1/4" / Ø1/2"

WIRING DIAGRAM



NOTES:
(1) The data and specifications present in this sheet may vary without notice.
(2) The images on this sheet are indicative and may be different from the final machine.

DIMENSIONS & WEIGHT OF INDOOR UNIT

Model	Weight	W	H	D
KAY-D 26 DR11	11,30 kg	920 mm	211 mm	321 mm
KAY-D 35 DR11	11,30 kg	920 mm	211 mm	321 mm
KAY-D 52 DR11	11,30 kg	920 mm	211 mm	321 mm

