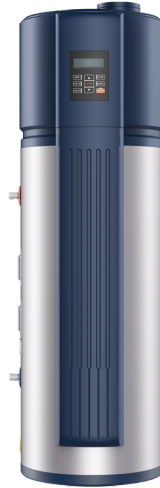


# Combo for DHW

## PRODUCT SHEET



Product certified by:

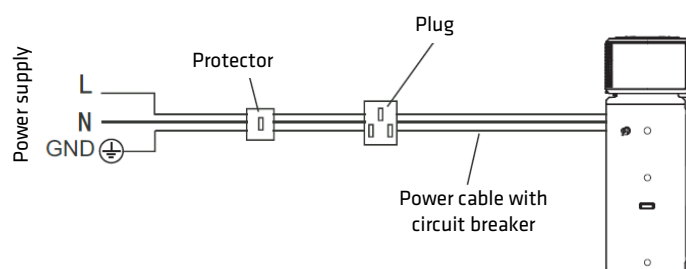
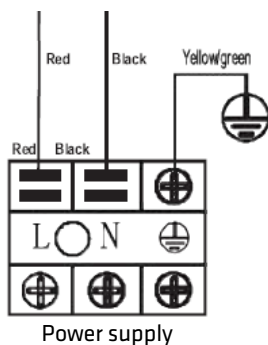


### FEATURES

| Model                               | COMPAK KHP 15/190 ACS2   |
|-------------------------------------|--|
| Heating capacity <sup>1</sup>       | 1,50 kW  |
| Heating power input <sup>1</sup>    | 0,38 kW  |
| Tank volume                         | 185 L  |
| Air flow                            | 182/230/270 m <sup>3</sup> /h  |
| Sound pressure                      | 41 dB(A)   |
| Working weight                      | 120 kg   |
| Temperature range water outlet      | 38°C - 70°C<br>(up to + 70°C during disinfection with electrical resistance) |
| Temperature range ambient operating | -7°C - 43°C  |
| Hydraulic connections               | Ø3/4" (DN20)   |
| Drain connections                   | Ø3/4" (DN20)   |
| Backup heater                       | 3 kW   |
| Exchanger                           | Copper tubing around the tank  |
| Power supply                        | 220-240 V / 1 / 50 Hz  |
| Power wiring                        | 3x4 mm   |
| Manual switch capacity / Fuse       | 25 / 20 A  |

<sup>1</sup> Outdoor temperature 15/12°C (DB/WB), water inlet 15°C, water outlet 45°C

### WIRING DIAGRAM

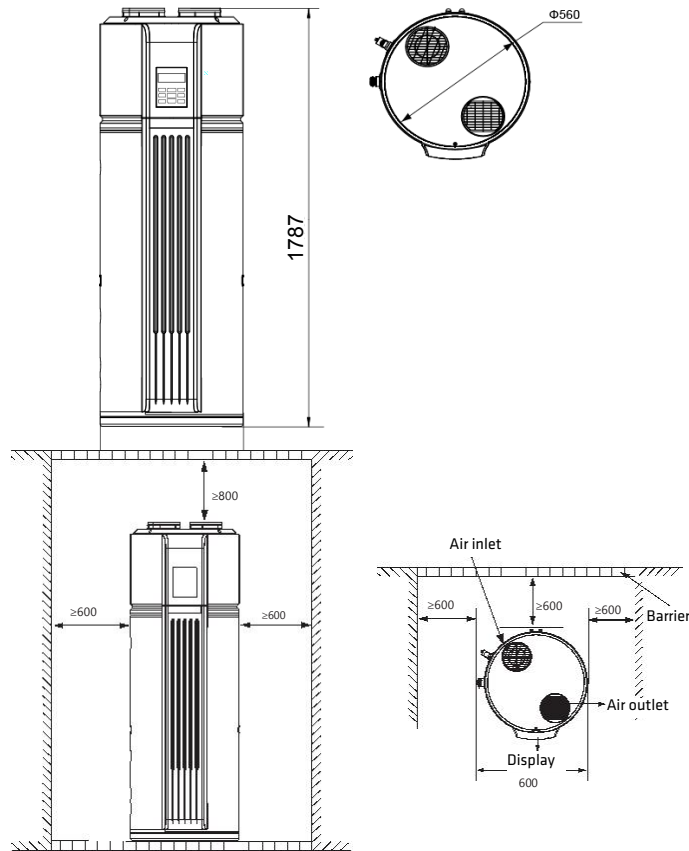


## NOTES:

- (1) The data and specifications present in this sheet may vary without notice.
- (2) The images on this sheet are indicative and may be different from the final machine.

## DIMENSIONS OF UNIT & SPACE FOR INSTALLATION

**COMPAK KHP 15/190 ACS2**



## RECOMMENDED CHANNELING OF AIR

**COMPAK KHP 15/190 ACS2**

