

Aquantia KHP-MO HT

PRODUCT SHEET



4-6 kW



Standard controller

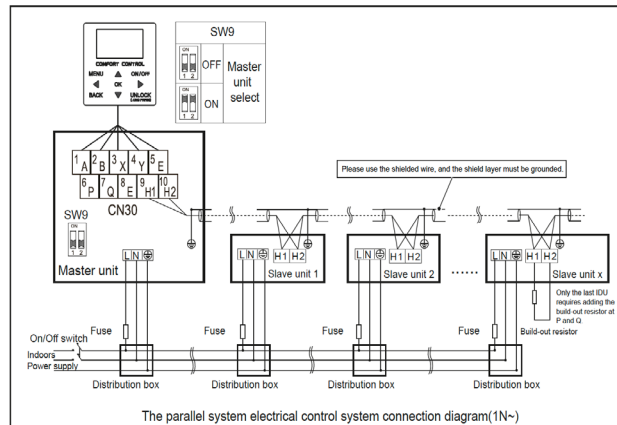
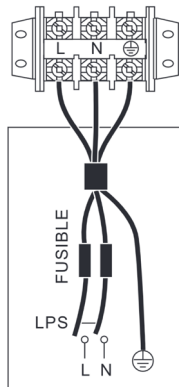
Product certified by:



FEATURES

Model	Outdoor unit	KHP-MO 4 DVP	KHP-MO 6 DVP	KHP-MO 8 DVP
Outdoor unit	Net weight	90 kg	90 kg	117 kg
	Connections diameter	1"	1"	1 1/4"
	Expansion vessel included	8l	8l	8l
	Max. pump available pressure	8,5 mca	8,5 mca	8,5 mca
	Power supply	220-240 V / 1 F / 50 Hz	220-240 V / 1 F / 50 Hz	220-240 V / 1 F / 50 Hz
	Max. intensity	12	13,5	16
	Backup electrical resistance	3000 W	3000 W	3000 W
DHW tank (not included)	Recommended tank capacity	100-250 L	100-250 L	150-300 L
	Recommended model	BSX270	BSX270	BSX270
Water outlet temperature	Heating & DHW	75 / 70 °C	75 / 70 °C	75 / 70 °C
	Cooling	5 / 30 °C	5 / 30 °C	5 / 30 °C
Operating range	Heating	-25 / 35 °C	-25 / 35 °C	-25 / 35 °C
	DHW	-25 / 46 °C	-25 / 46 °C	-25 / 46 °C
	Cooling	-5 / 46 °C	-5 / 46 °C	-5 / 46 °C

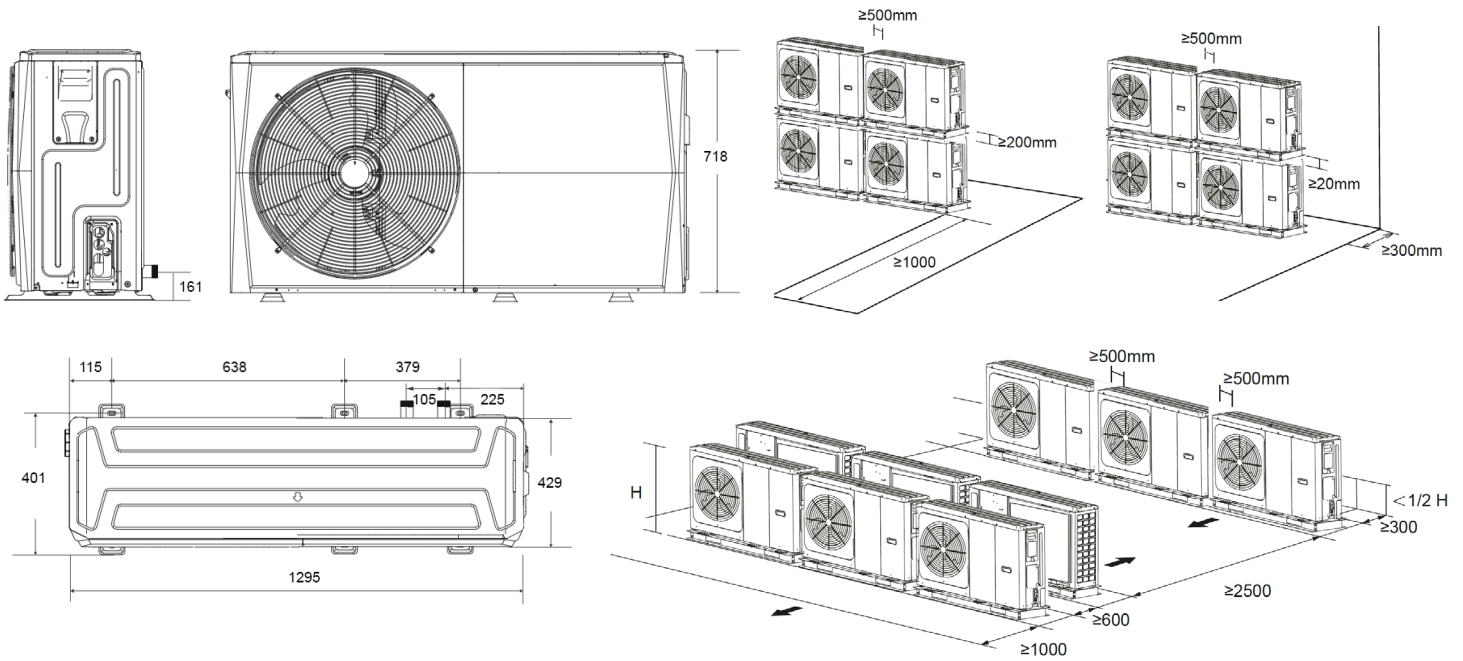
ELECTRICAL CONNECTION



NOTES:

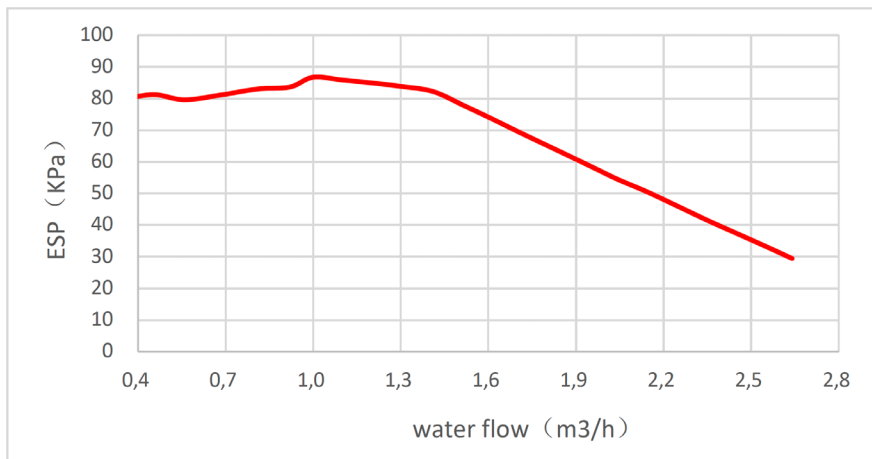
- (1) The data and specifications present in this sheet may vary without notice.
- (2) The images on this sheet are indicative and may be different from the final machine.

DIMENSIONS & INSTALLATION DISTANCES



Model	KHP-MO 4 DVP	KHP-MO 6 DVP	KHP-MO 8 DVP
Width	1295 mm	1295 mm	1385 mm
Height	718 mm	718 mm	865 mm
Depth	429 mm	429 mm	526 mm

PUMP CURVE



Abbreviations:
ESP: External static pressure

PERFORMANCES

	Heating				Cooling	
	A+7°C Capacity kW / W+35°C COP	A+7°C Capacity kW / W+55°C COP	A-7°C Capacity kW / W+35°C COP	A-7°C Capacity kW / W+55°C COP	A+35°C Capacity kW / W+18°C EER	A+35°C Capacity kW / W+7°C EER
KHP-MO 4 DVP	4,5 / 5,15	4,6 / 3,2	4,5 / 3,1	4,7 / 2,2	4,5 / 5,5	4,7 / 3,65
KHP-MO 6 DVP	6,2 / 4,9	6,2 / 3,1	5,9 / 2,95	5,2 / 2,15	6,5 / 5,1	6,8 / 3,1
KHP-MO 8 DVP	8,4 / 5	7,8 / 3,2	7 / 3	6,9 / 2,15	8,3 / 5,15	7,5 / 3,45

KEYMARK-CERTIFIED HEATING PERFORMANCE

	Average heating temperature W35°C SCOP / ηs	Average heating temperature W55°C SCOP / ηs
KHP-MO 4 DVP	5,07 / 199,8	3,82 / 149,8
KHP-MO 6 DVP	4,68 / 184	3,62 / 141,8
KHP-MO 8 DVP	4,64 / 182,4	3,62 / 141,9

SOUND PRESSURE

	Sound pressure Outdoor unit dB(A)
KHP-MO 4 DVP	61
KHP-MO 6 DVP	65
KHP-MO 8 DVP	65

Aquantia KHP-MO HT

PRODUCT SHEET



Standard controller

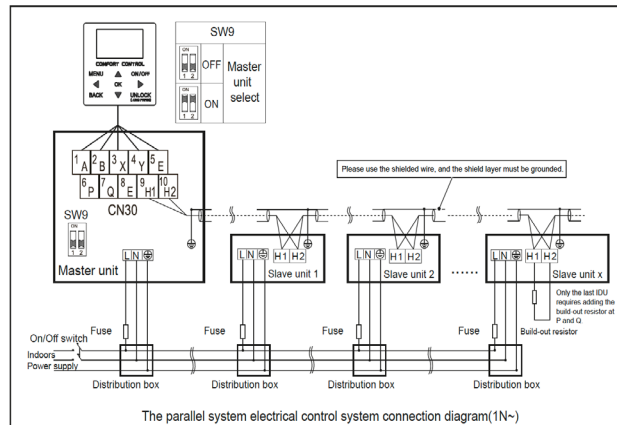
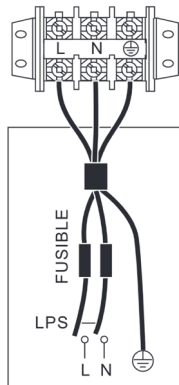
Product certified by:



FEATURES

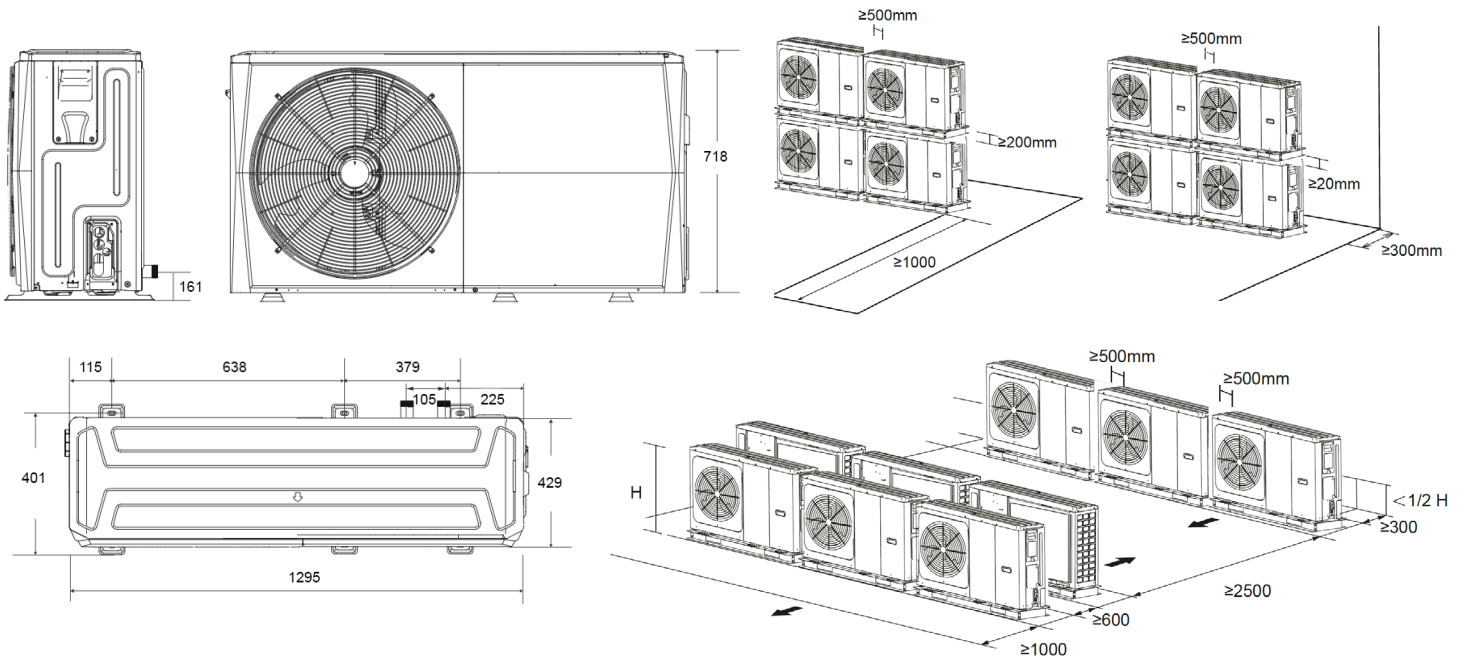
Model	Outdoor unit	KHP-MO 10 DVP	KHP-MO 12 DVP	KHP-MO 14 DVP	KHP-MO 16 DVP
Outdoor unit	Net weight	117 kg	135 kg	135 kg	135 kg
	Connections diameter	1 1/4"	1 1/4"	1 1/4"	1 1/4"
	Expansion vessel included	8l	8l	8l	8l
	Max. pump available pressure	8,5 mca	8,5 mca	8,5 mca	8,5 mca
	Power supply	220-240 V / 1 F / 50 Hz	220-240 V / 1 F / 50 Hz	220-240 V / 1 F / 50 Hz	220-240 V / 1 F / 50 Hz
	Max. intensity	17,5	25	26,5	28
	Backup electrical resistance	3000 W	3000 W	3000 W	3000 W
DHW tank (not included)	Recommended tank capacity	150 L - 300 L	200 L - 500 L	200 L - 500 L	200 L - 500 L
	Recommended model	BSX270 / BSX475	BSX270 / BSX475	BSX270 / BSX475	BSX270 / BSX475
Water outlet temperature	Heating & DHW	75 / 70 °C	75 / 70 °C	75 / 70 °C	75 / 70 °C
	Cooling	5 / 30 °C	5 / 30 °C	5 / 30 °C	5 / 30 °C
Operating range	Heating	-25 / 35 °C	-25 / 35 °C	-25 / 35 °C	-25 / 35 °C
	DHW	-25 / 46 °C	-25 / 46 °C	-25 / 46 °C	-25 / 46 °C
	Cooling	-5 / 46 °C	-5 / 46 °C	-5 / 46 °C	-5 / 46 °C

ELECTRICAL CONNECTION



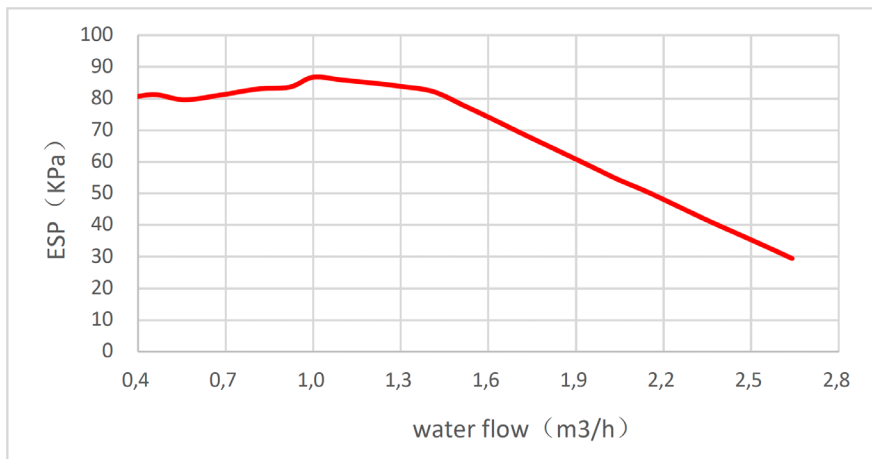
NOTES:
(1) The data and specifications present in this sheet may vary without notice.
(2) The images on this sheet are indicative and may be different from the final machine.

DIMENSIONS & INSTALLATION DISTANCES



Model	KHP-MO 10 DVP	KHP-MO 12 DVP	KHP-MO 14 DVP	KHP-MO 16 DVP
Width	1385 mm	1385 mm	1385 mm	1385 mm
Height	865 mm	865 mm	865 mm	865 mm
Depth	526 mm	526 mm	526 mm	526 mm

PUMP CURVE



Abbreviations:
ESP: External static pressure

PERFORMANCES

	Heating				Cooling	
	A+7°C Capacity kW / W+35°C COP	A+7°C Capacity kW / W+55°C COP	A-7°C Capacity kW / W+35°C COP	A-7°C Capacity kW / W+55°C COP	A+35°C Capacity kW / W+18°C EER	A+35°C Capacity kW / W+7°C EER
KHP-MO 10 DVP	10 / 4,7	9,5 / 3,05	8 / 2,85	7,4 / 2,1	10 / 4,75	8,9 / 3,25
KHP-MO 12 DVP	12 / 4,8	12 / 3,1	10 / 2,8	10,4 / 2,15	12 / 4,5	11,5 / 3,05
KHP-MO 14 DVP	14 / 4,5	14 / 3	11,5 / 2,7	11,3 / 2,1	14 / 4,2	12,7 / 2,9
KHP-MO 16 DVP	15 / 4,4	15 / 2,85	12,7 / 2,5	12,4 / 2,05	16 / 3,9	14 / 2,75

KEYMARK-CERTIFIED HEATING PERFORMANCE

	Average heating temperature W35°C SCOP / ηs	Average heating temperature W55°C SCOP / ηs
KHP-MO 10 DVP	5,07 / 199,8	3,82 / 149,8
KHP-MO 12 DVP	4,68 / 184	3,62 / 141,8
KHP-MO 14 DVP	4,64 / 182,4	3,62 / 141,9
KHP-MO 16 DVP	4,59 / 180,6	3,57 / 139,9

SOUND PRESSURE

	Sound pressure Outdoor unit dB(A)
KHP-MO 10 DVP	61
KHP-MO 12 DVP	65
KHP-MO 14 DVP	65
KHP-MO 16 DVP	69

Aquantia KHP-MO HT

PRODUCT SHEET



Standard controller

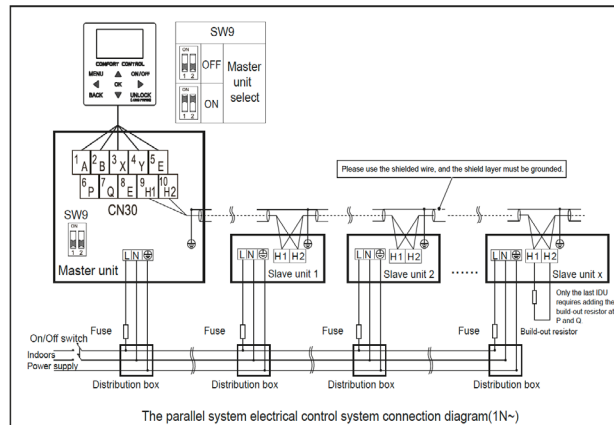
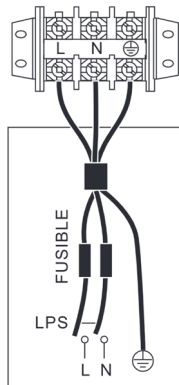
Product certified by:



FEATURES

Model	Outdoor unit	KHP-MO 12 DTP	KHP-MO 14 DTP	KHP-MO 16 DTP
Outdoor unit	Net weight	137 kg	137 kg	137 kg
	Connections diameter	1 1/4"	1 1/4"	1 1/4"
	Expansion vessel included	8l	8l	8l
	Max. pump available pressure	8,5 mca	8,5 mca	8,5 mca
	Power supply	380-415 V / 3 F / 50 Hz	380-415 V / 3 F / 50 Hz	380-415 V / 3 F / 50 Hz
	Max. intensity	8,5	9	9,5
	Backup electrical resistance	Regulable 9000/6000/3000 W	Regulable 9000/6000/3000 W	Regulable 9000/6000/3000 W
DHW tank (not included)	Recommended tank capacity	200 L - 500 L	200 L - 500 L	200 L - 500 L
	Recommended model	BSX270 / BSX475	BSX270 / BSX475	BSX270 / BSX475
Water outlet temperature	Heating & DHW	75 / 70 °C	75 / 70 °C	75 / 70 °C
	Cooling	5 / 30 °C	5 / 30 °C	5 / 30 °C
Operating range	Heating	-25 / 35 °C	-25 / 35 °C	-25 / 35 °C
	DHW	-25 / 46 °C	-25 / 46 °C	-25 / 46 °C
	Cooling	-5 / 46 °C	-5 / 46 °C	-5 / 46 °C

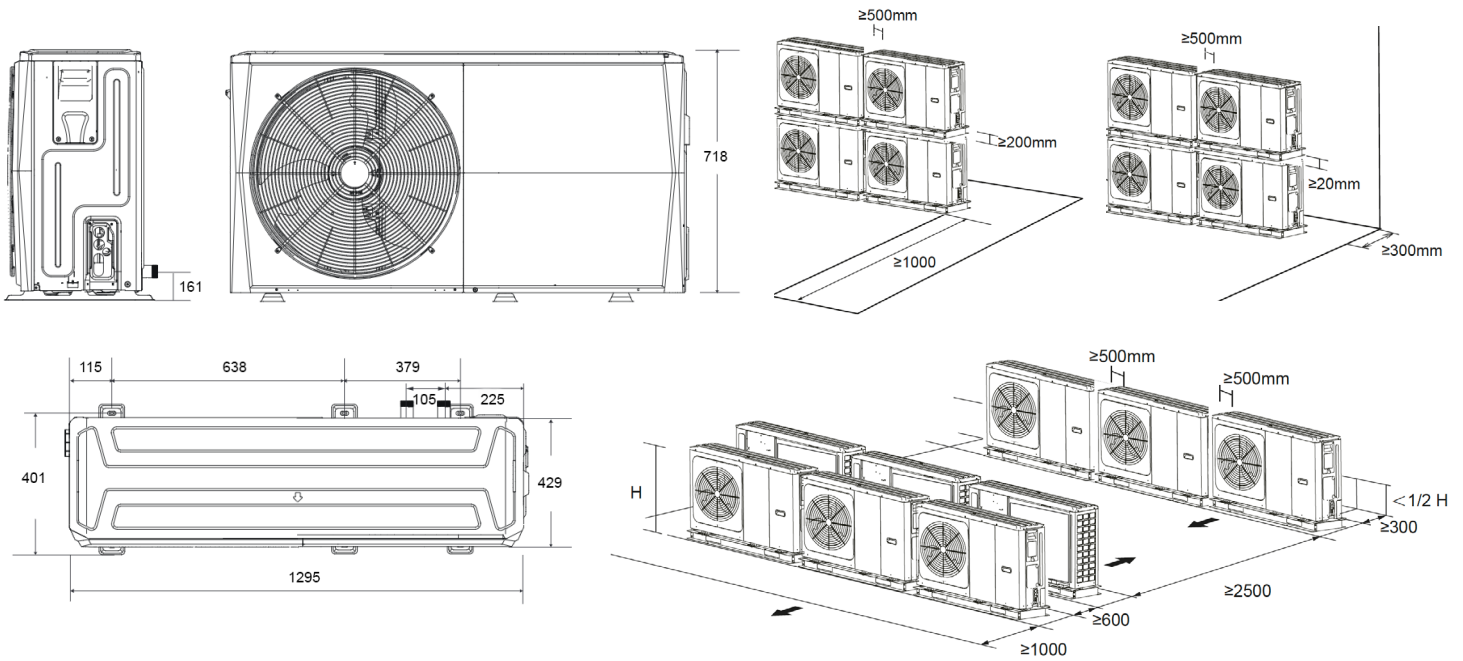
ELECTRICAL CONNECTION



NOTES:

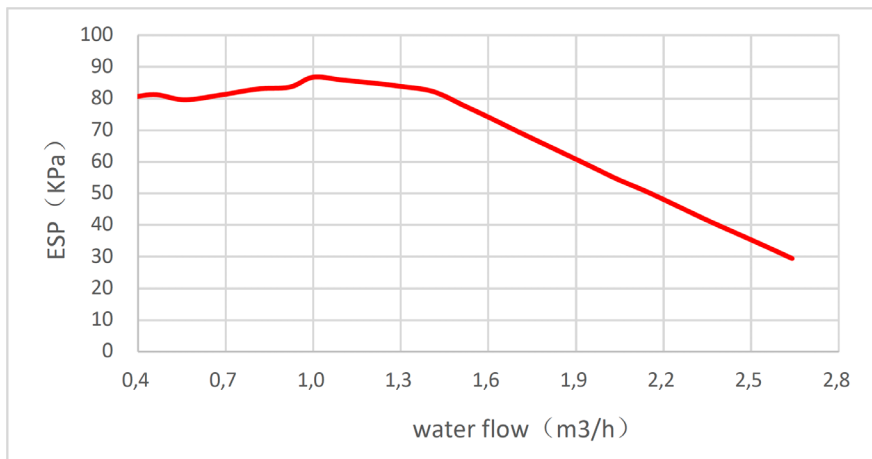
- (1) The data and specifications present in this sheet may vary without notice.
- (2) The images on this sheet are indicative and may be different from the final machine.

DIMENSIONS & INSTALLATION DISTANCES



Model	KHP-MO 12 DTP	KHP-MO 14 DTP	KHP-MO 16 DTP
Width	1385 mm	1385 mm	1385 mm
Height	865 mm	865 mm	865 mm
Depth	526 mm	526 mm	526 mm

PUMP CURVE



Abbreviations:
ESP: External static pressure

PERFORMANCES

	Heating				Cooling	
	A+7°C Capacity kW / W+35°C COP	A+7°C Capacity kW / W+55°C COP	A-7°C Capacity kW / W+35°C COP	A-7°C Capacity kW / W+55°C COP	A+35°C Capacity kW / W+18°C EER	A+35°C Capacity kW / W+7°C EER
KHP-MO 12 DTP	12 / 4,8	12 / 3,1	10 / 2,8	10,4 / 2,15	12 / 4,5	11,5 / 3,05
KHP-MO 14 DTP	14 / 4,5	14 / 3	11,5 / 2,7	11,3 / 2,1	14 / 4,2	12,7 / 2,9
KHP-MO 16 DTP	15 / 4,4	15 / 2,85	12,7 / 2,5	12,4 / 2,05	16 / 3,9	14 / 2,75

KEYMARK-CERTIFIED HEATING PERFORMANCE

	Average heating temperature W35°C SCOP / ηs	Average heating temperature W55°C SCOP / ηs
KHP-MO 12 DTP	4,68 / 184	3,62 / 141,8
KHP-MO 14 DTP	4,64 / 182,4	3,62 / 141,9
KHP-MO 16 DTP	4,59 / 180,6	3,57 / 139,9

SOUND PRESSURE

	Sound pressure Outdoor unit dB(A)
KHP-MO 12 DTP	65
KHP-MO 14 DTP	65
KHP-MO 16 DTP	69