

Compak



PRODUCT SHEET

Product certified by:

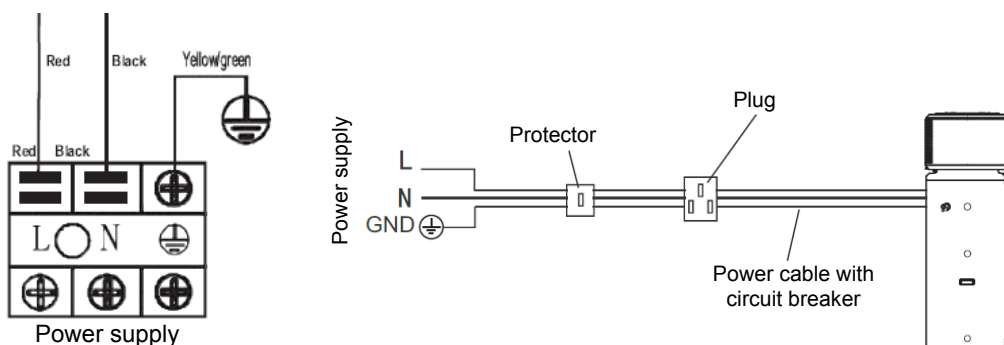


FEATURES

| Model | KHP 20/300 ACS2 |
|-------------------------------------|--|
| Heating capacity ¹ | 2 kW |
| Heating power input ¹ | 0,47 kW |
| Tank volume | 275 L |
| Air flow | 312/355/414 m ³ /h |
| Sound pressure | 59 dB(A) |
| Working weight | 175 kg |
| Temperature range water outlet | 38°C - 70°C (up to + 70°C during disinfection with electrical resistance) |
| Temperature range ambient operating | -7°C - 43°C |
| Hydraulic connections | Ø3/4" (DN20) |
| Drain connections | Ø3/4" (DN20) |
| Backup heater | 3,15 kW |
| Power supply | 220-240 V / 1 / 50 Hz |
| Power wiring | 3x4 mm |

¹ Outdoor temperature 15/12°C (DB/WB), water inlet 15°C, water outlet 45°C

WIRING DIAGRAM

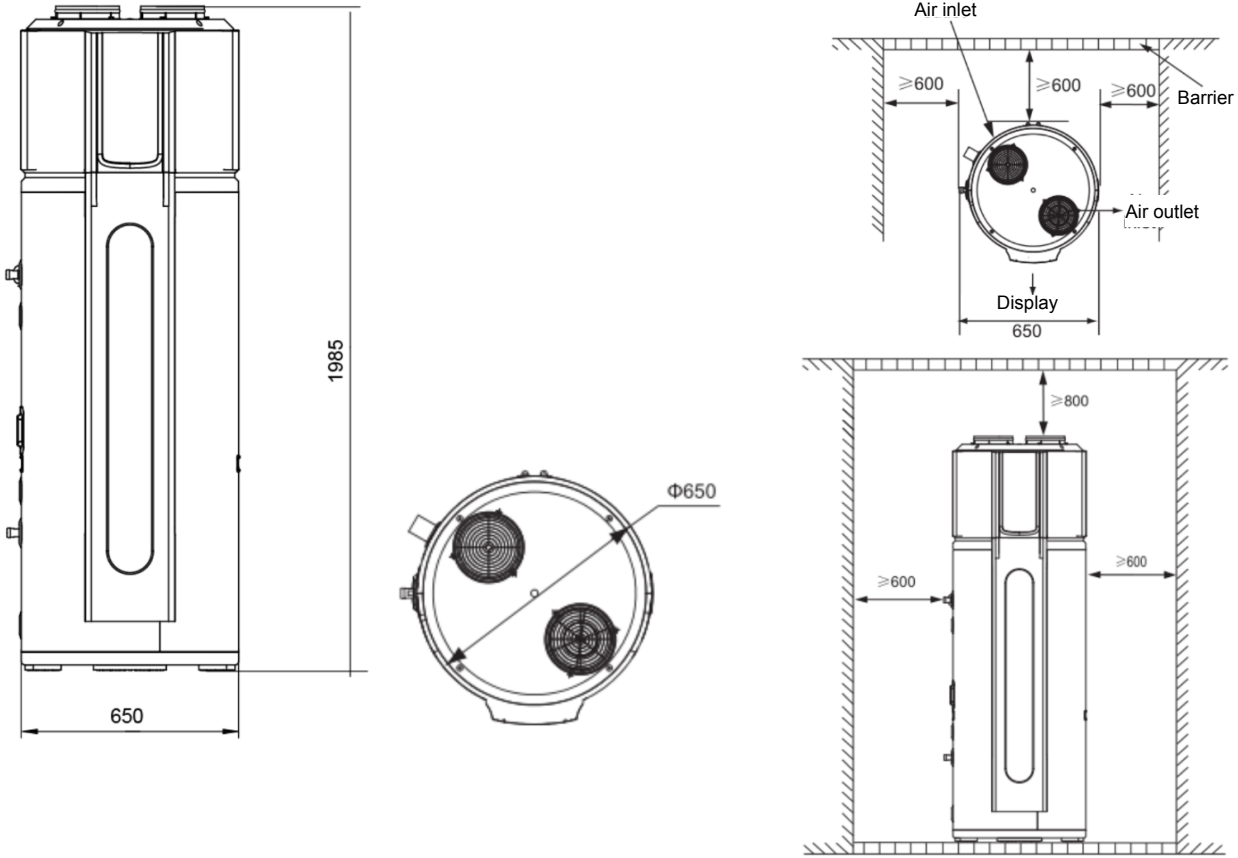


NOTES:

- (1) The data and specifications present in this sheet may vary without notice.
- (2) The images on this sheet are indicative and may be different from the final machine.



DIMENSIONS OF UNIT & SPACE FOR INSTALLATION



RECOMMENDED CHANNELING OF AIR

