

AHUKZ-D

PRODUCT SHEET



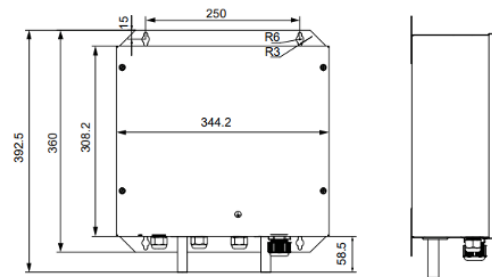
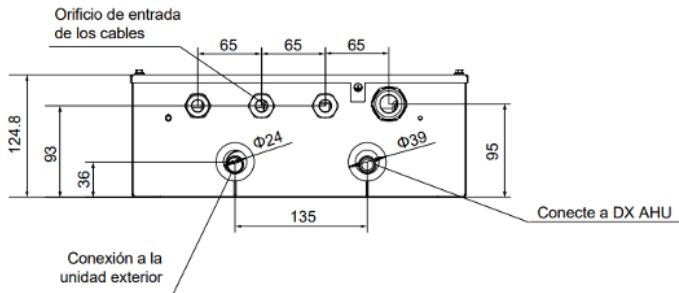
WDC-86S
Recommended control



FEATURES

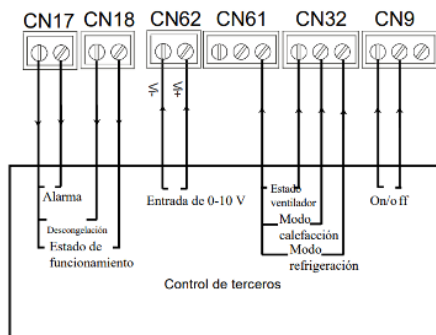
Model	AHUKZ-00D	AHUKZ-01D	AHUKZ-02D	AHUKZ-03D
Cooling capacity	2 - 9 kW	9 - 20 kW	20 - 36 kW	36 - 56
Tube diameter	Ø3/8" - 3/8"	Ø3/8" - 3/8"	Ø1/2" - 1/2"	Ø5/8" - 5/8"
Alimentation	220-240 V / 1 / 50 Hz			
Interconnect cable	3x2,50 mm ²	3x2,50 mm ²	3x2,50 mm ²	3x2,50 mm ²
Shielded Interconnect Bus	3x1,50 mm ²	3x1,50 mm ²	3x1,50 mm ²	3x1,50 mm ²
Gross weight	5,6 kg	5,6 kg	5,9 kg	6 kg

DIMENTIONS

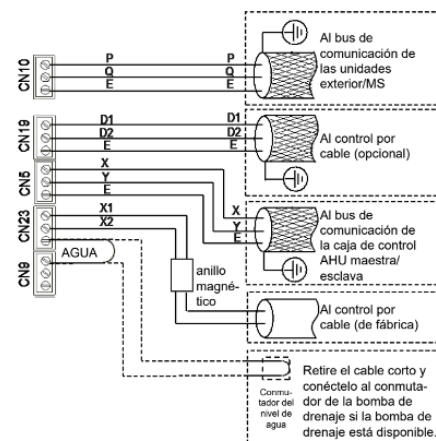


CONNECTIONS DIAGRAM

Wired connection:



Third-party control connection:

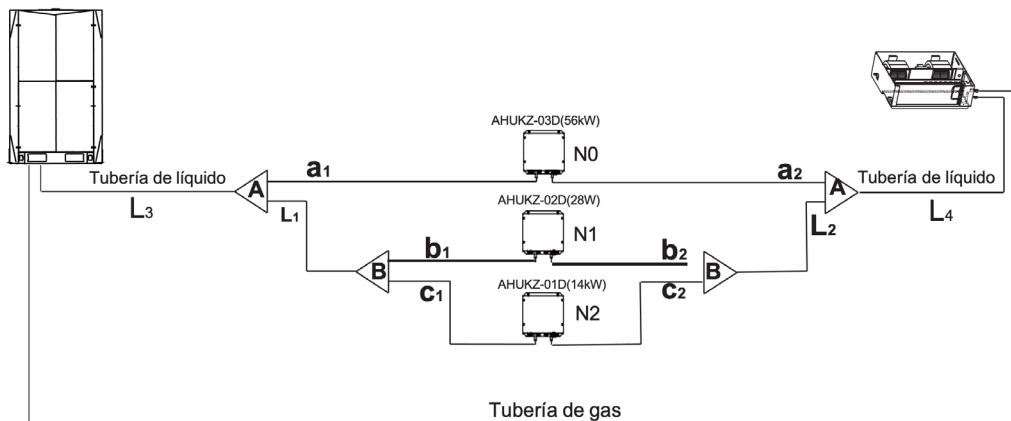


GRADES:

- (1) The data and specifications in this sheet may change without prior notice.
- (2) The images on this sheet are indicative, and may be different from the final machine.

Modelo	Define cooling capacity (CV)	Capacity of the AHU (kW)	Internal volume of heat exchanger (dm ³)	Reference air volume (m ³ /h)	Air volume max. (m ³ /h)
AHUKZ-00D	0,8	2,2-2,8	0,35~0,4	500	600
	1	2,8~3,6	0,4~0,45	550	650
	1,2	3,6~4,5	0,45~0,55	600	750
	1,7	4,5~5,6	0,55~0,65	750	900
	2	5,6~7,1	0,65~0,75	850	1000
	2,5	7,1~8	0,75~1,2	1000	1300
AHUKZ-01D	3	8~9	1,2~1,66	1300	1800
	3,2	9~11,2	1,66~2,06	1400	2400
	4	11,2~14	2,06~2,58	1700	3000
	5	14~16	2,58~3,32	2100	3800
AHUKZ-02D	6	16~20	3,32~3,69	2700	4300
	8	20~25	3,69~4,61	3000	5400
	10	25~30	4,61~5,53	3700	6400
AHUKZ-03D	12	30~36	5,53~6,64	4500	7700
	14	36~40	6,64~7,37	5400	8600
	16	40~45	7,37~8,29	6000	9700
	20	45~56	8,29~9,21	7500	12000

INSTALLATION DISTANCES



Pipe name	MAXIMUM DISTANCES
Control box main piping AHU	L1, L2, L3, L4
Control box auxiliary piping AHU	a1, a2, b1, b2, c1, c2
Control Box Bypass Joint Assembly AHU	A, B

The connection distance of each control box and DX AHU should not exceed 8m

a2+L4≤8m b2+L2+L4≤8m c2+L2+L4≤8m