



Aquantia KHPIS-BI PRO

Bibloc Integrated Set

PRODUCT SHEET



Product certified by:  



FEATURES

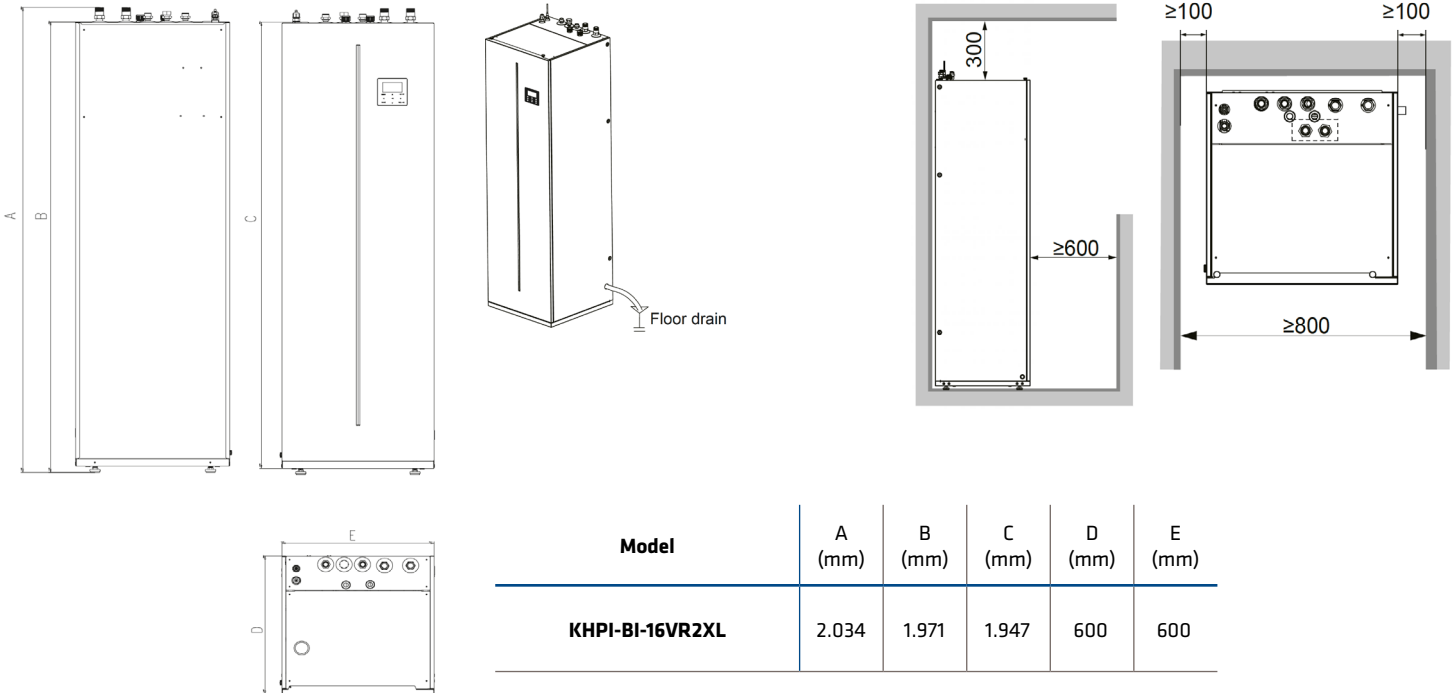
Model	Set	KHPIS-BI 14T PRO XL
	Indoor unit	KHPI-BI-16VR2XL
	Outdoor unit	KHP-BI 14 DTR2
Outdoor unit	Net / Gross weight	116 kg / 129,5 kg
	Drain connection	DN32 mm
	Sound power	65 dB(A)
	Power supply	380-415 V / 3 / 50 Hz
	Max. intensity	14,0 A
	Recommended fuse	D16 A
	Refrigerant / Refrigerant charge	R-32 / 1,84 kg
	Additional refrigerant charge (from 15 m)	38,0 g/m
	Liquid / gas pipe diameter (OD)	Ø9,52 mm / Ø15,9 mm
	Max. vertical / total distance	20 m / 30 m
Indoor unit	DHW tank capacity	240 L
	DHW tank material	Stainless steel SUS 316 L
	Insulation (thickness)	Injected polyurethane (45 mm)
	Cathodic protection	Not necessary
	Heating circuit diameter	G1"
	DHW circuit diameter	G3/4"
	Expansion vessel included	8,0 L
	Max. pump available pressure	8,5 m
	Net / gross curb weight	157,3 kg / 172,2 kg
	Sound power	44 dB
	Power supply	220-240 V / 1 / 50 Hz
	Rated input	3,10 kW
	Max. intensity	14,30 A
	Recommended fuse	C16 A
	Backup electrical resistance	3,0 kW
Rated water flow	2,5 m ³ /h	
Water flow range	0,7 ~ 3,0 m ³ /h	
Water outlet temperature	Heating & DHW	+25 ~ +65 °C
	Cooling	+5 ~ +25 °C
Operating range	Heating	-25 ~ +35 °C
	DHW	-25 ~ +43 °C
	Cooling	-5 ~ +43 °C

NOTES:

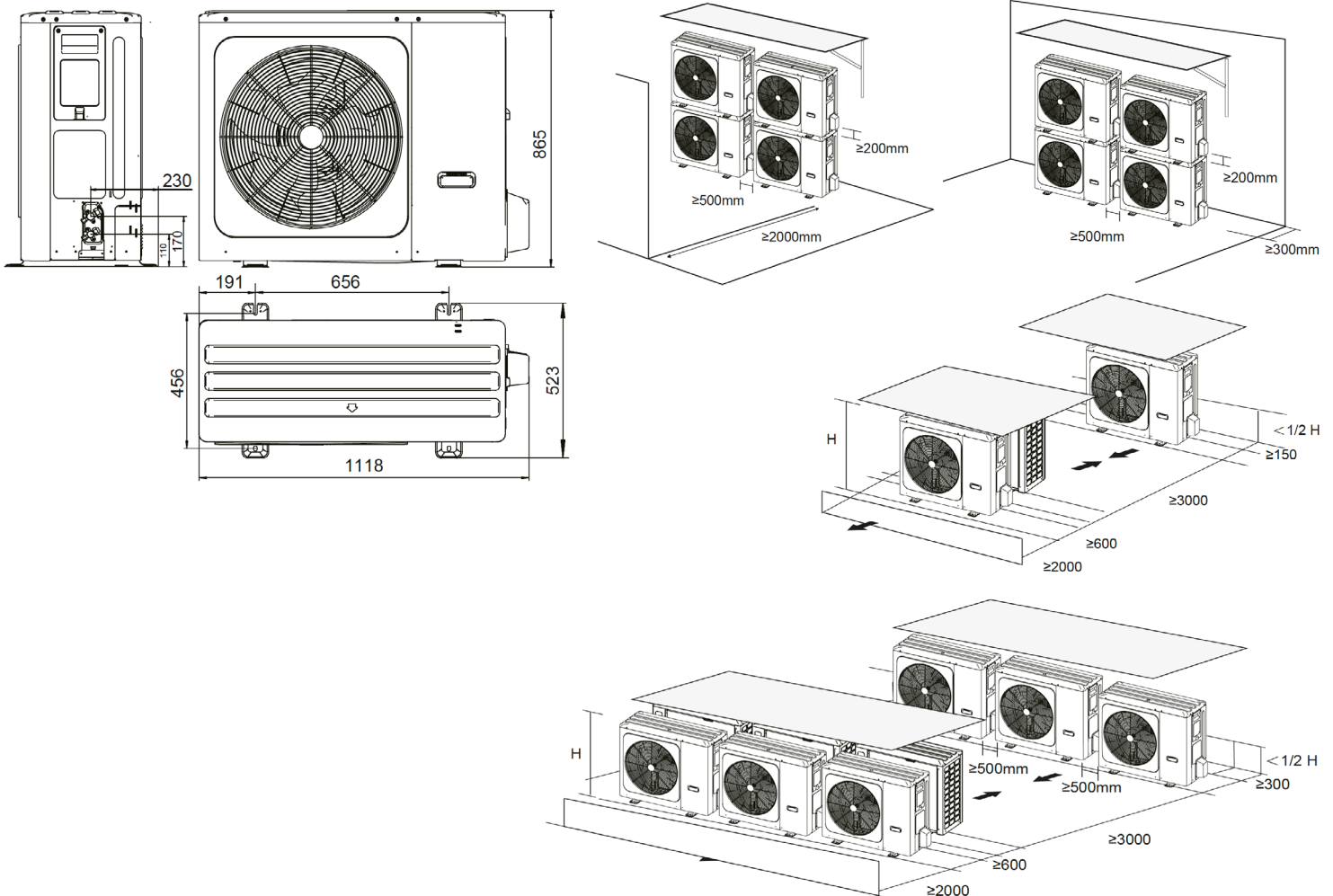
(1) The data and specifications present in this sheet may vary without notice.

(2) The images on this sheet are indicative and may be different from the final machine.

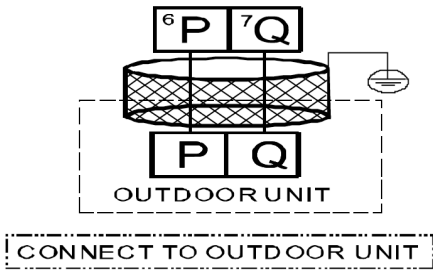
INDOOR UNIT DIMENSIONS & INSTALLATION DISTANCES



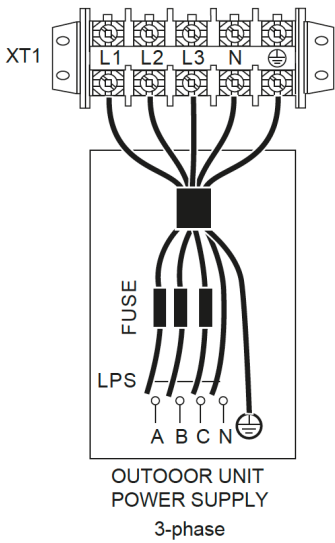
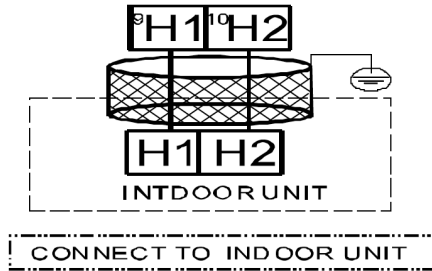
OUTDOOR UNIT DIMENSIONS & INSTALLATION DISTANCES



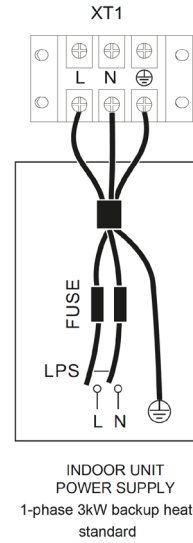
ELECTRICAL CONNECTION



Internal machine parallel



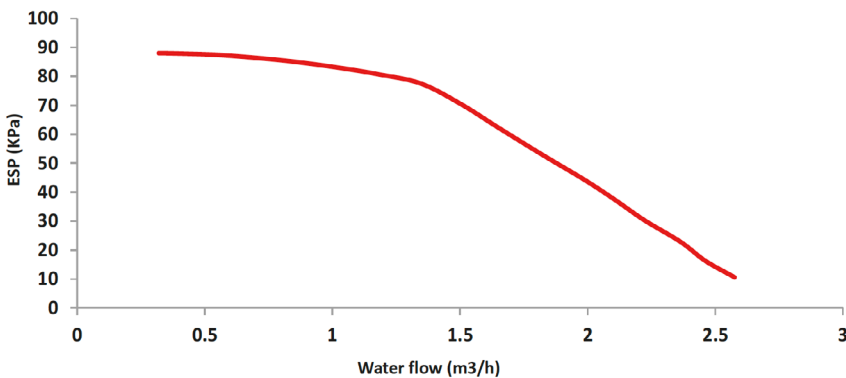
Unit	14 kW 3-PH
Max. overcurrent protector (MOP) (A)	14 A
Wiring size (mm ²)	2,5 mm ²



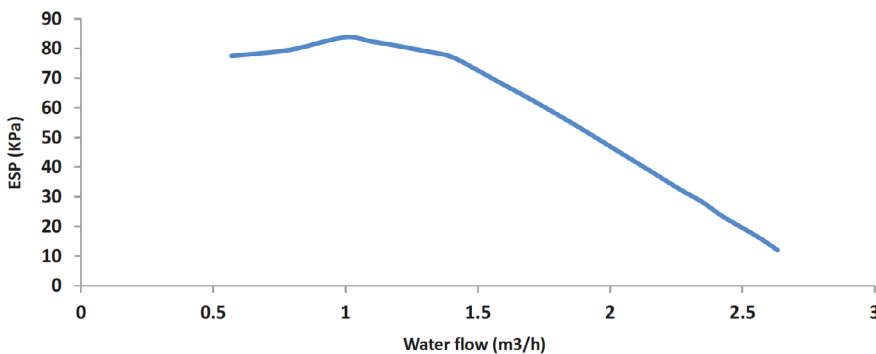
Unit	3 kW - 1 PH
Wiring size	4,0 mm ²

PUMP CURVE

With 190L water tank



With 240L water tank



PERFORMANCES

	Heating				Cooling	
	A+7°C Capacity kW / W+35°C COP	A+7°C Capacity kW / W+55°C COP	A-7°C Capacity kW / W+35°C COP	A-7°C Capacity kW / W+55°C COP	A+35°C Capacity kW / W+18°C EER	A+35°C Capacity kW / W+7°C EER
KHPIS-BI 14T PRO XL	14,50 / 4,70	13,80 / 3,00	12,00 / 2,85	11,00 / 2,05	13,50 / 3,60	12,70 / 2,55

ACS PERFORMANCE CERTIFIED BY KEYMARK

	Energy class ACS	Profile ACS	SCOP ACS / Medium climate	SCOP ACS / Warm climate
KHPIS-BI 14T PRO XL	A+	XL	3,00	3,73

SOUND PRESSURE

	Sound pressure Outdoor unit dB(A)	Sound pressure Indoor unit dB(A)
KHPIS-BI 14T PRO XL	51 (380V)	29

Aquantia KHPIS-BI PRO

Bibloc Integrated Set

PRODUCT SHEET



Product certified by:



FEATURES

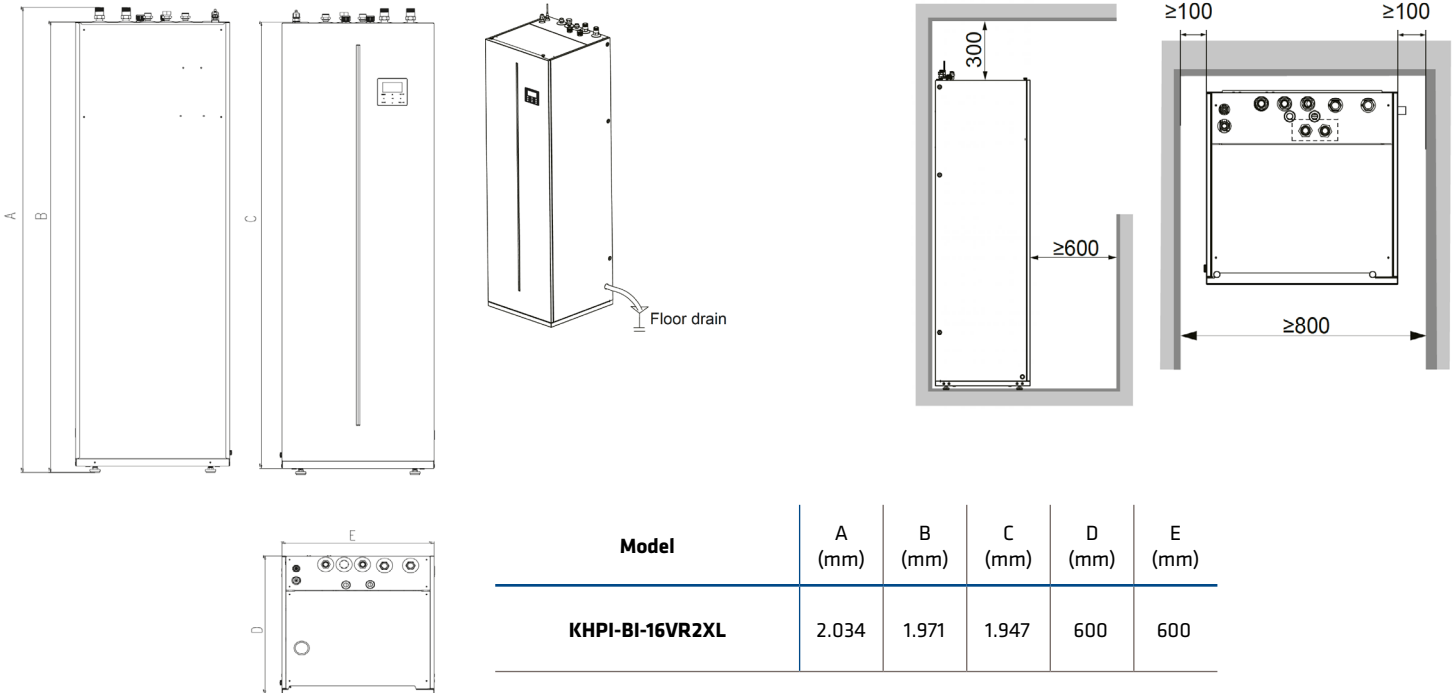
Model	Set	KHPIS-BI 16T PRO XL
	Indoor unit	KHPI-BI-16VR2XL
	Outdoor unit	KHP-BI 16 DTR2
Outdoor unit	Net / Gross weight	116 kg / 129,5 kg
	Drain connection	DN32 mm
	Sound power	68 dB(A)
	Power supply	380-415 V / 3 / 50 Hz
	Max. intensity	14,0 A
	Recommended fuse	D16 A
	Refrigerant / Refrigerant charge	R-32 / 1,84 kg
	Additional refrigerant charge (from 15 m)	38,0 g/m
	Liquid / gas pipe diameter (OD)	Ø9,52 mm / Ø15,9 mm
	Max. vertical / total distance	20 m / 30 m
Indoor unit	DHW tank capacity	240 L
	DHW tank material	Stainless steel SUS 316 L
	Insulation (thickness)	Injected polyurethane (45 mm)
	Cathodic protection	Not necessary
	Heating circuit diameter	G1"
	DHW circuit diameter	G3/4"
	Expansion vessel included	8,0 L
	Max. pump available pressure	8,5 m
	Net / gross curb weight	157,3 kg / 172,2 kg
	Sound power	44 dB
	Power supply	220-240 V / 1 / 50 Hz
	Rated input	3,10 kW
	Max. intensity	14,30 A
	Recommended fuse	C16 A
	Backup electrical resistance	3,0 kW
	Rated water flow	2,8 m ³ /h
Water flow range	0,7 ~ 3,0 m ³ /h	
Water outlet temperature	Heating & DHW	+25 ~ +65 °C
	Cooling	+5 ~ +25 °C
Operating range	Heating	-25 ~ +35 °C
	DHW	-25 ~ +43 °C
	Cooling	-5 ~ +43 °C

NOTES:

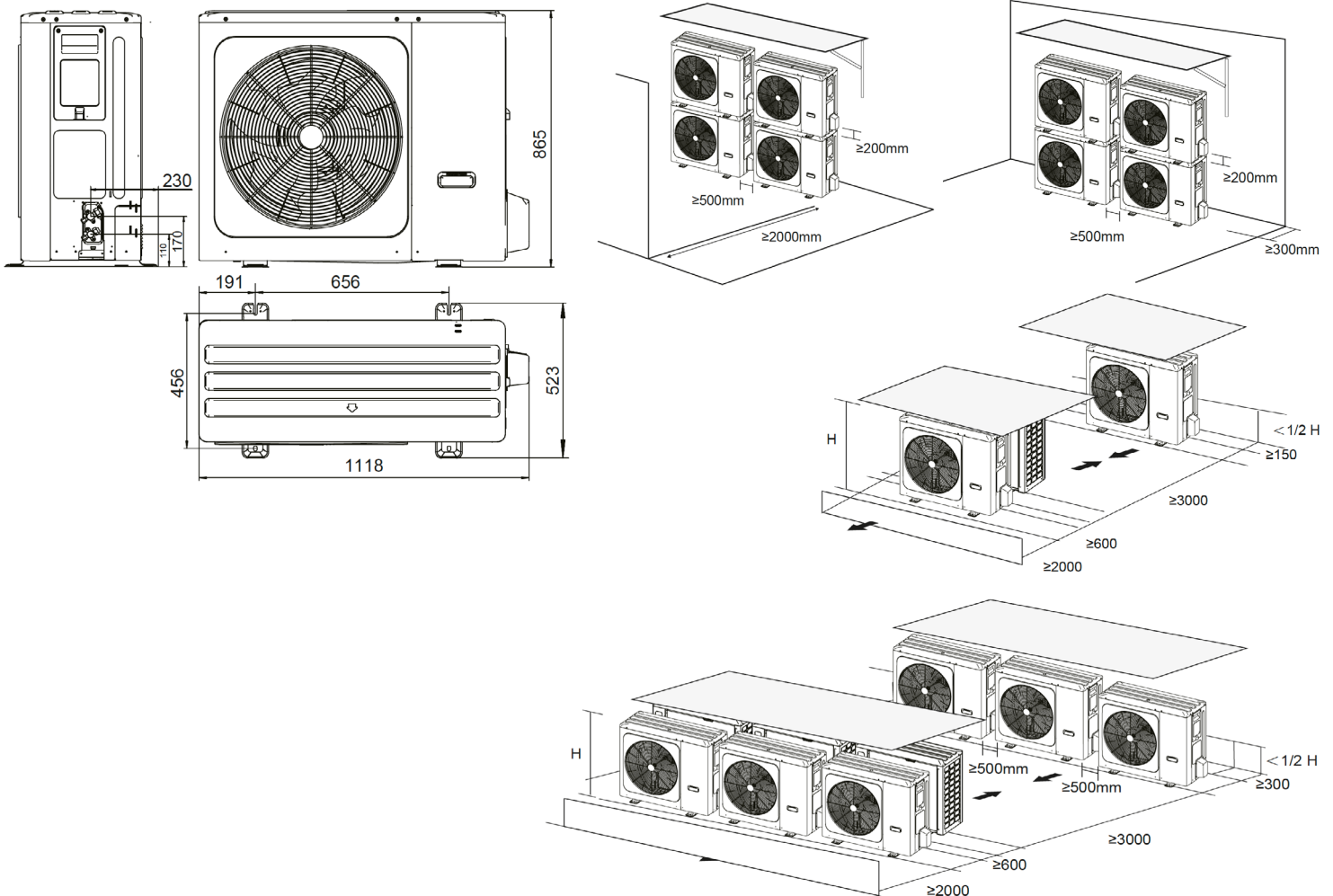
(1) The data and specifications present in this sheet may vary without notice.

(2) The images on this sheet are indicative and may be different from the final machine.

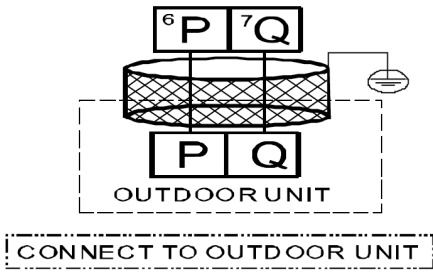
INDOOR UNIT DIMENSIONS & INSTALLATION DISTANCES



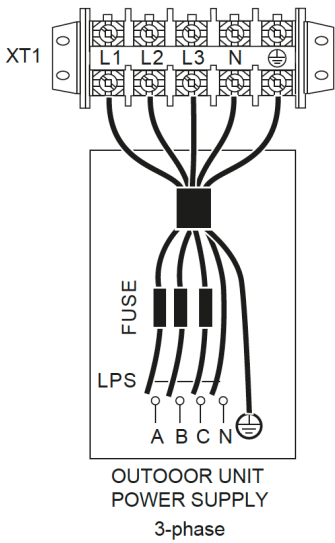
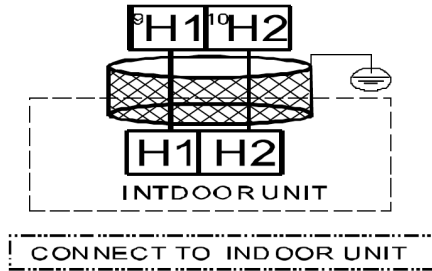
OUTDOOR UNIT DIMENSIONS & INSTALLATION DISTANCES



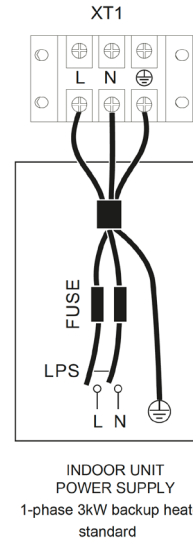
ELECTRICAL CONNECTION



Internal machine parallel



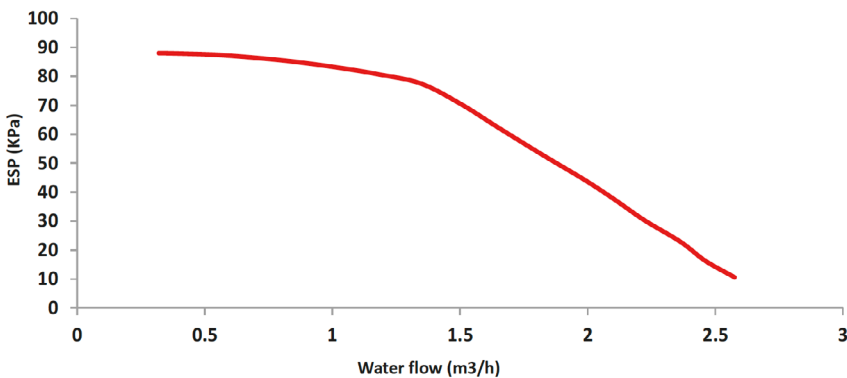
Unit	16 kW 3-PH
Max. overcurrent protector (MOP) (A)	14 A
Wiring size (mm ²)	2,5 mm ²



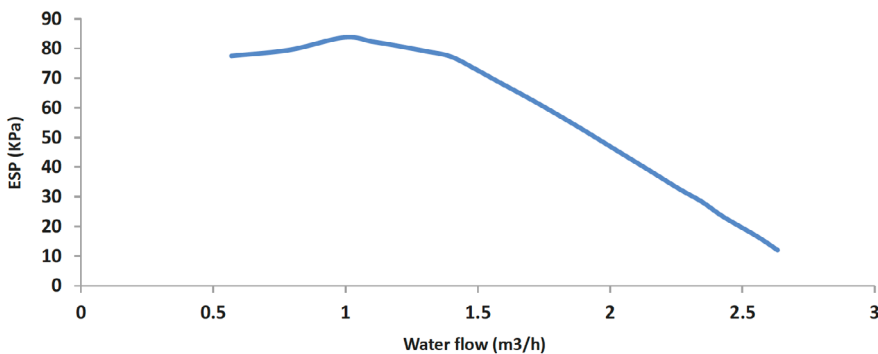
Unit	3 kW - 1 PH
Wiring size	4,0 mm ²

PUMP CURVE

With 190L water tank



With 240L water tank



PERFORMANCES

	Heating				Cooling	
	A+7°C Capacity kW / W+35°C COP	A+7°C Capacity kW / W+55°C COP	A-7°C Capacity kW / W+35°C COP	A-7°C Capacity kW / W+55°C COP	A+35°C Capacity kW / W+18°C EER	A+35°C Capacity kW / W+7°C EER
KHPIS-BI 16T PRO XL	16,00 / 4,50	16,00 / 2,90	13,10 / 2,70	12,50 / 2,00	14,90 / 3,40	14,00 / 2,45

ACS PERFORMANCE CERTIFIED BY KEYMARK

	Energy class ACS	Profile ACS	SCOP ACS / Medium climate	SCOP ACS / Warm climate
KHPIS-BI 16T PRO XL	A+	XL	3,00	3,73

SOUND PRESSURE

	Sound pressure Outdoor unit dB(A)	Sound pressure Indoor unit dB(A)
KHPIS-BI 16T PRO XL	55 (380V)	29