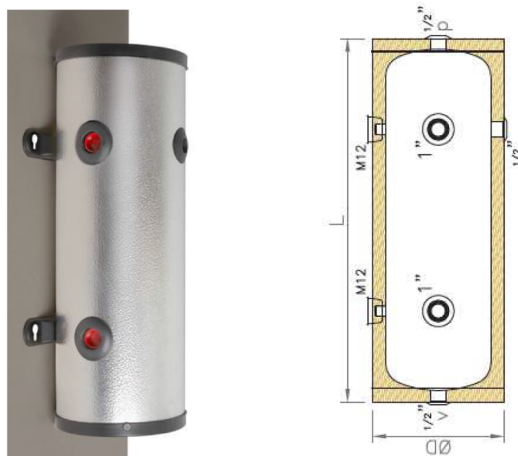


Buffer tanks AR-S

PRODUCT SHEET



FEATURES

Model	20 AR-S	30 AR-S	40 AR-S
Volume	20 L	30 L	40 L
Diameter (ØD)	Ø250 mm	Ø250 mm	Ø250 mm
Length (L)	700 mm	1.000 mm	1.230 mm
Weight	7 kg	10 kg	12 kg
Max. service pressure	6 bar	6 bar	6 bar
Service temperature min./max.	-10°C ~ 100°C		
Probes and purge connexions	R - GH s/dibujo		
Water connections	4x 1"	4x 1"	4x 1"

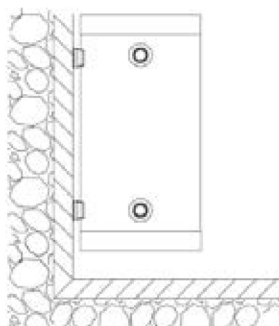
Buffer tanks for HVAC-R and heat pump installations. Used to reduce the number of starts & stops of the compressor with quick temperature variations.

For only closed-circuits installations (tanks lack off internal coating).

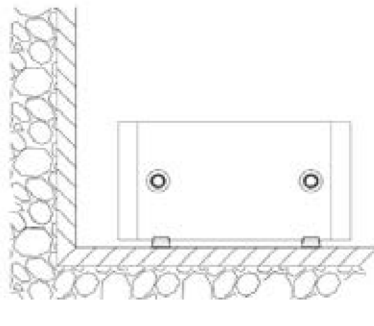
Features:

- Thermal insulation with condensation protection (rigid polyurethane foam, min. thickness 20 mm).
- External finish with embossed aluminium foil.
- Designed and manufactured according to 2014/68/UE Directive.

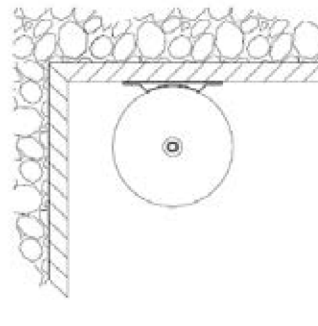
Different installation positions:



Wall



Ground



Ceiling

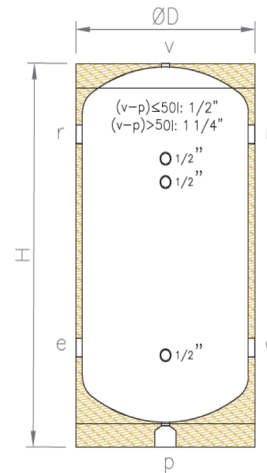
NOTES:

(1) The data and specifications present in this sheet may vary without notice.

(2) The images on this sheet are indicative and may be different from the final machine.

Buffer tanks AR-A

PRODUCT SHEET



FEATURES

Model	50 AR-A	100 AR-A
Volume	50 L	100 L
Diameter (ØD)	Ø410 mm	Ø460 mm
Height (H)	560 mm	890 mm
Weight	15 kg	30 kg
Max. service pressure	6 bar	6 bar
Service temperature min./max.	-10°C ~ 100°C	
Probes and purge connexions	R - GH s/dibujo	
Water connections	4x 1"	4x 1/4"

Buffer tanks for HVAC-R and heat pump installations. Used to reduce the number of starts & stops of the compressor with quick temperature variations.

For only closed-circuits installations (tanks lack off internal coating).

For installation on the floor (50 AR-A model can be installed on the wall/false ceiling).

Features:

- Thermal insulation with condensation protection (rigid polyurethane foam). Min. thickness 25 mm in 50 AR-A, 30 mm in 100 AR-A.
- External finish with embossed aluminium foil.
- Designed and manufactured according to 2014/68/UE Directive. ErP Directive: Category B-C.

NOTES:

(1) The data and specifications present in this sheet may vary without notice.

(2) The images on this sheet are indicative and may be different from the final machine.